

# Comfort

## End-of-Life Information

Grundfos COMFORT must be disposed of according to local regulations by using a public or private waste collection service. If this is not possible, contact the nearest Grundfos company or service workshop.

## Safety risks

- Safety risk related to materials used  
There is no risk for people during the disassembly process posed by the materials used in the product.
- Safety risk related to handling the product  
Care should be taken when handling the pump due to the weight.
- **Caution: Persons with pacemakers who disassemble this product shall exercise care when handling magnetic materials embedded in the rotor.**

## Disassembly of the product

The main materials of the components are:

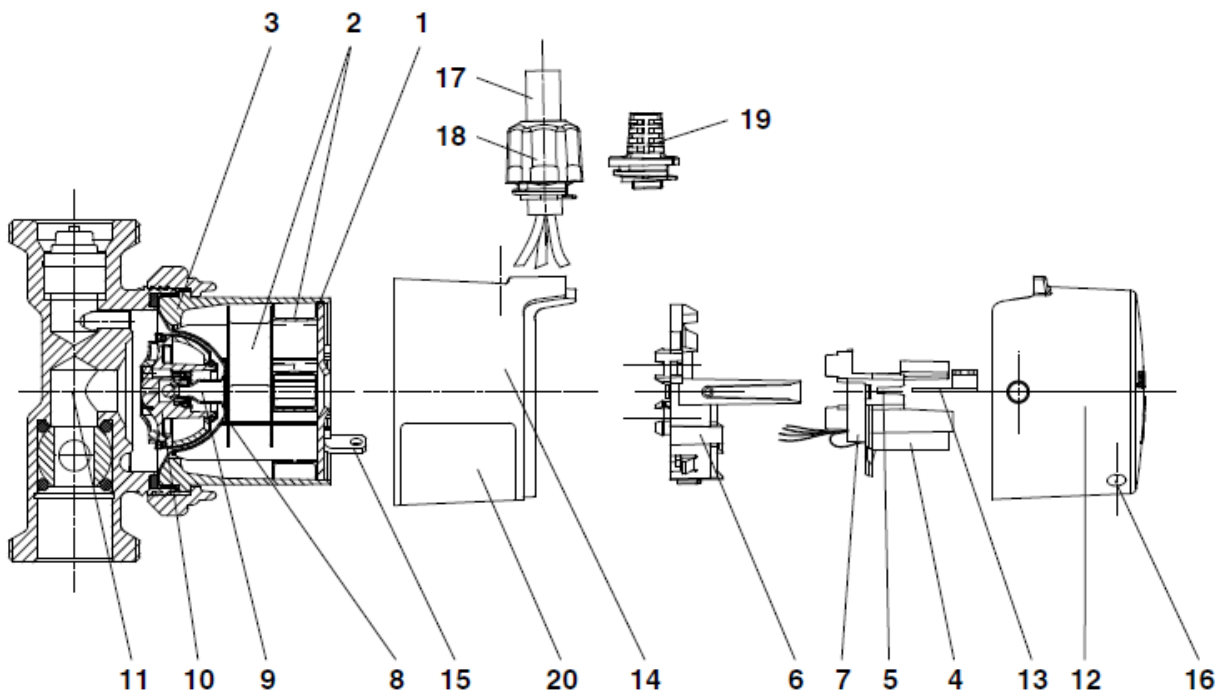
- Copper
- Brass
- Electronic scrap
- Composite materials

and can therefore be recycled to a large extent – depending on the national possibilities for recycling.

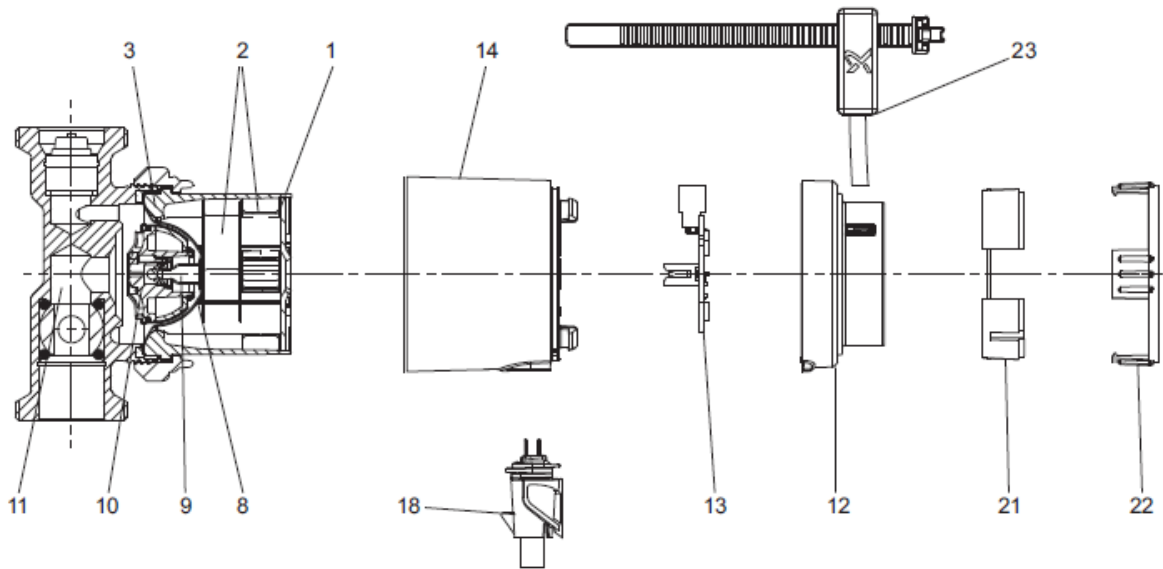
The pump is assembled by using screws and snap lock and can be disassembled with standard tools. There are no loose parts inside the motor.

Pos. No	Designation	Material	Special disassembly considerations
1	Stator lamination	Steel	
2	Stator windings	Copper wire and enamel	
3	Stator housing	Aluminium/PA66	
4	Capacitor	Metallised PP film	
5	Contact for pc board	Tin-plated brass	
6	Retainer for pc board, lower	PA66/6	
7	Retainer for pc board, upper	PA66/6	
8	Spherical separator	Stainless steel	
9	Rotor can complete	Stainless steel/tungsten carbide	
10	Rotor, impeller	Stainless steel, EPDM, PPO, PTFE, graphite	

11	Pump housing	Brass MS 58	
12	Terminal box cover	PC/ABS	
13	PC board with diode	FR 4	
14	Motor cover	PPO	
15	Screw	Stainless steel	
16	Light	Lexan	
17	Cable	PVC	
18	Cable relief	PA66	
19	Insulating cover	EPP 55	
20	Nameplate	PET 50	
21	Cable reel 1	PC/ABS	
22	Cable reel 2	PC/ABS	
23	Temperature sensor		
<b>Additional materials:</b>			



Sectional drawing of COMFORT pump, except COMFORT AUTO



Sectional drawing of COMFORT PM pump