

Multilift M, MLD, MD

End-of-Life Information

Grundfos Multilift M, MD or MLD lifting stations must be disposed of according to local regulations by using a public or private waste collection service. If this is not possible, contact the nearest Grundfos company or service workshop.

Safety Risk

- Safety related to materials used
There is no risk for people during the disassembly process posed by the materials used for the product.
- Safety related for handling the product
Caution is required when accessing the inside of the tank as it may be toxic caused by the waste water. Care should be taken when handling due to the weight.
Depending on the type of pump, the oil chamber of the pump may contain non-toxic oil (approx. 60ml Shell Ondina 15 or 919).
The bearings include non-toxic grease.

Disassembly of the Product

The main materials of the components are:

- Iron
- Stainless steel
- Aluminium
- Copper
- Polyethylene (PE)
- ABS (Acrylonitrile butadiene styrene)
- Polypropylene (PP)
- Electronic scrap
- Rubber materials (NBR)

and can therefore be recycled to a large extend – depending on the national possibilities for recycling.

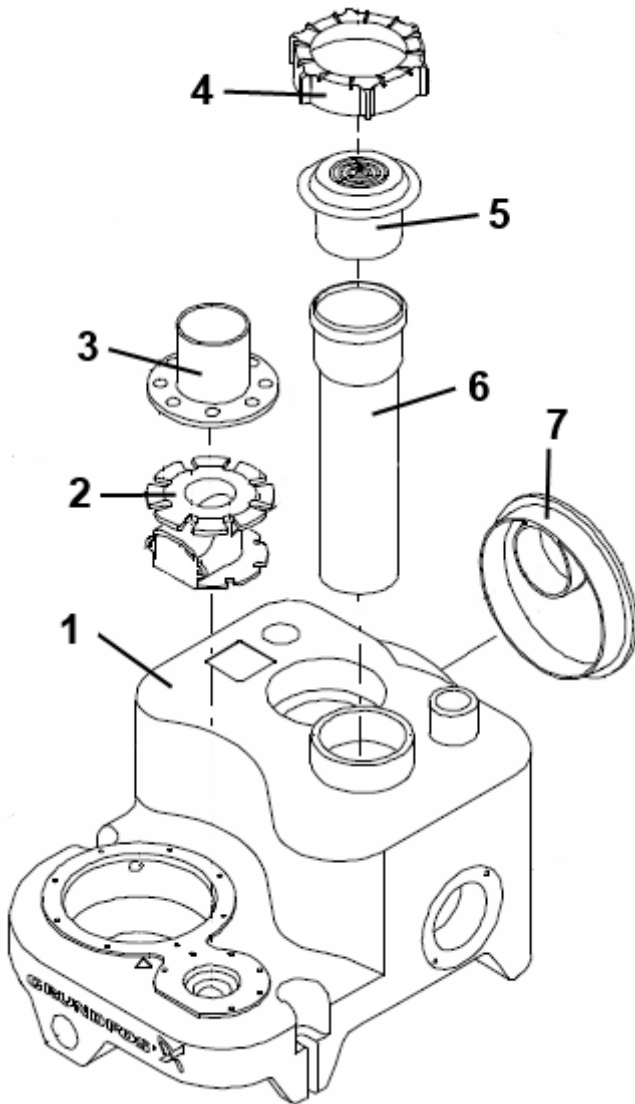
Pumps(s) and none-return valves can be removed from the tank with standard tools.

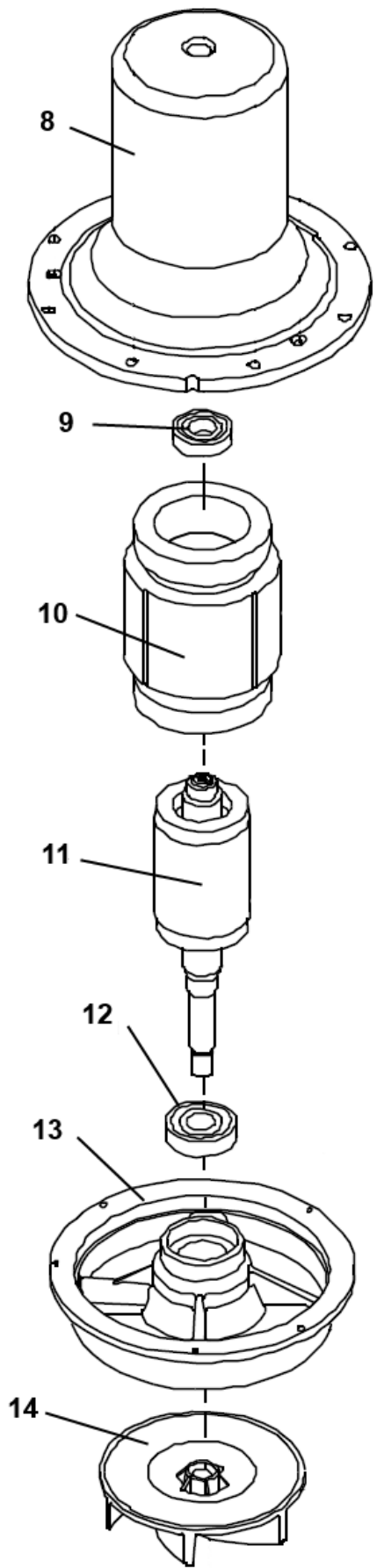
Pump and controller box are assembled using screws and bolts and can be disassembled with standard tools.

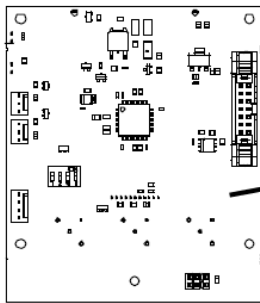
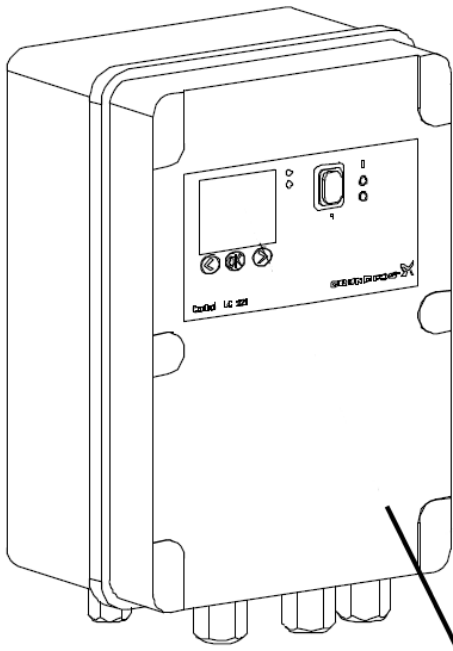
There are no loose parts inside the motor.

| Designation | Name | Material | Special Disassembly Consideration |
|-------------|-------------------|--------------------|--|
| 1 | Collecting tank | PE (Polyethylene) | Caution: The inside of the tank may be toxic and contaminated because of the waste water |
| 2 | None Return Valve | Cast iron | |
| 3 | Flange | PP (Polypropylene) | |
| 4 | Ring | PP (Polypropylene) | |
| 5 | Supporting pipe | PP (Polypropylene) | |
| 6 | Pressure tube | PP (Polypropylene) | |

| | | | |
|------------------------------|----------------|---|--|
| 7 | Disk | PP (Polypropylene) | |
| 8 | Stator housing | Cast iron | |
| 9 | Bearing | Steel | |
| 10 | Stator | Copper, Iron and isolation materials | |
| 11 | Rotor | Iron, Copper and Aluminium | |
| 12 | Cover | Cast iron | |
| 13 | Impeller | PP (Polypropylene) | |
| 14 | Display board | Electronics | |
| 15 | Controller box | ABS (Acrylonitrile butadiene styrene) | |
| 16 | Mainboard | Electronics | |
| Additional materials: | | Screws, gaskets etc.: Various materials (steel, NBR) less than 5% of weight. The pump contains 60 ml non-toxic oil, Shell Ondina 15 or 919 | |

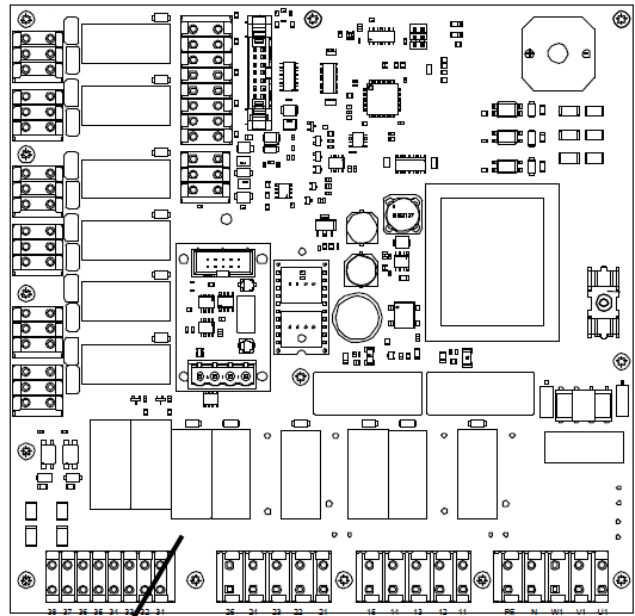






16

15



17