

Multilift MOG, MDG

End-of-Life Information

Grundfos Multilift MOG and MDG lifting stations must be disposed of according to local regulations by using a public or private waste collection service. If this is not possible, contact the nearest Grundfos company or service workshop.

Safety Risk

- Safety related to materials used
There is no risk for people during the disassembly process posed by the materials used for the product.
- Safety related for handling the product
Caution is required when accessing the inside of the tank as it may be toxic caused by the waste water. Care should be taken when handling due to the weight.
Grundfos Multilift MOG and MDG lifting stations are equipped with Grundfos SEG pumps. Please refer to the corresponding documentation available.

Disassembly of the Product

The main materials of the components are:

- Iron
- Stainless steel
- Aluminium
- Copper
- Polyethylene (PE)
- ABS (Acrylonitrile butadiene styrene)
- Polypropylene (PP)
- Electronic scrap
- Rubber materials (NBR)

and can therefore be recycled to a large extend – depending on the national possibilities for recycling.

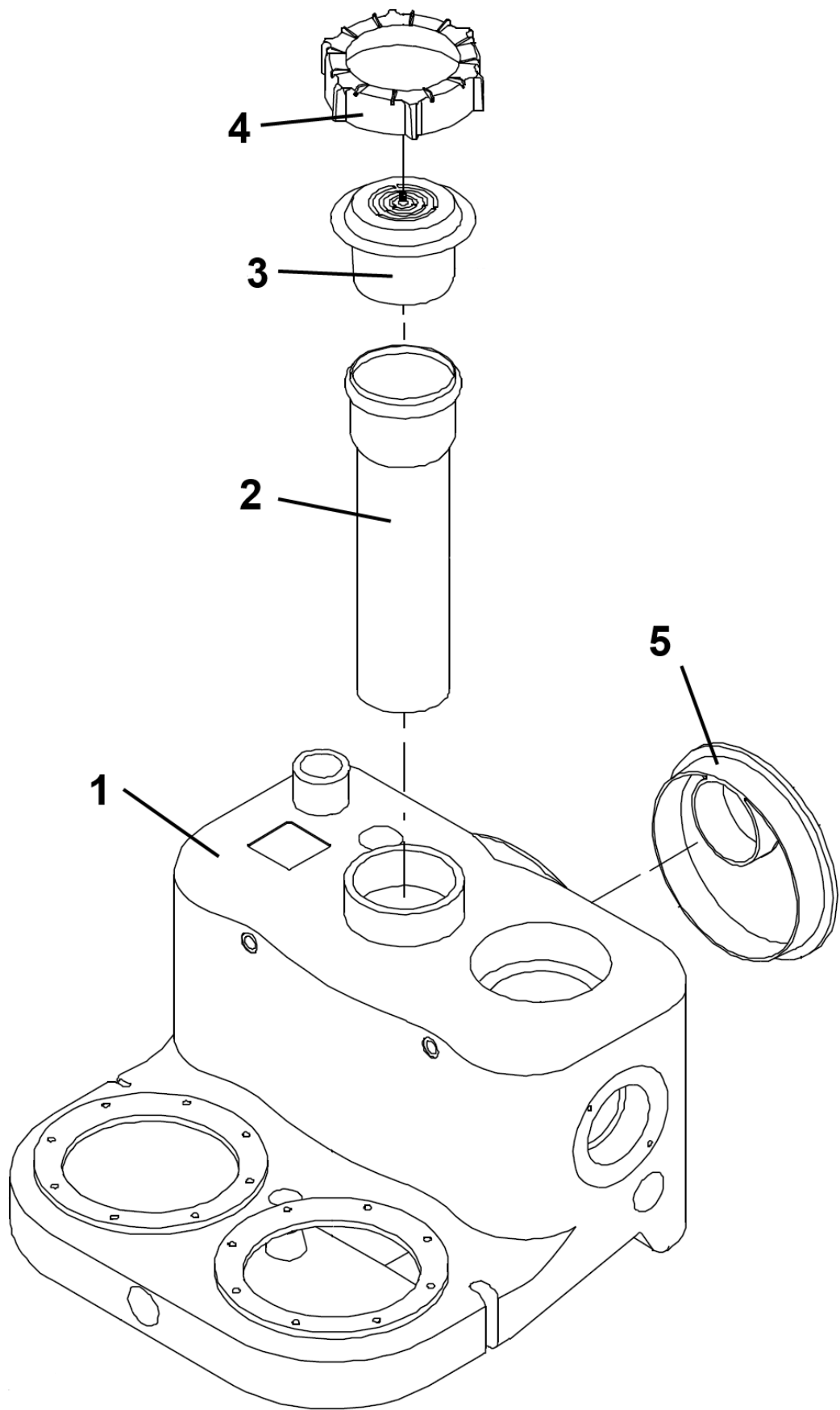
Pumps(s) and none-return valves can be removed from the tank with standard tools.

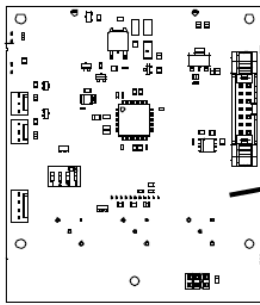
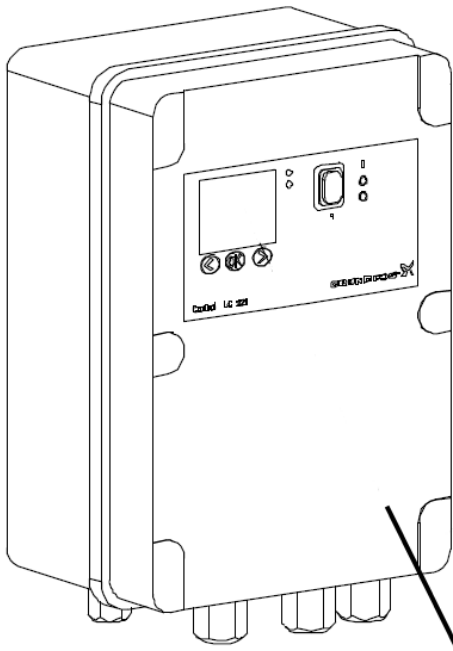
Pump and controller box are assembled using screws and bolts and can be disassembled with standard tools.

Grundfos Multilift MOG and MDG lifting stations are equipped with Grundfos SEG pumps. Please refer to the corresponding documentation.

Designation	Name	Material	Special Disassembly Consideration
1	Collecting tank	PE (Polyethylene)	Caution: The inside of the tank may be toxic and contaminated because of the waste water
2	Pressure tube	PP (Polypropylene)	
3	Supporting pipe	PP (Polypropylene)	
4	Ring	PP (Polypropylene)	
5	Disk	PP (Polypropylene)	
6	Display board	Electronics	

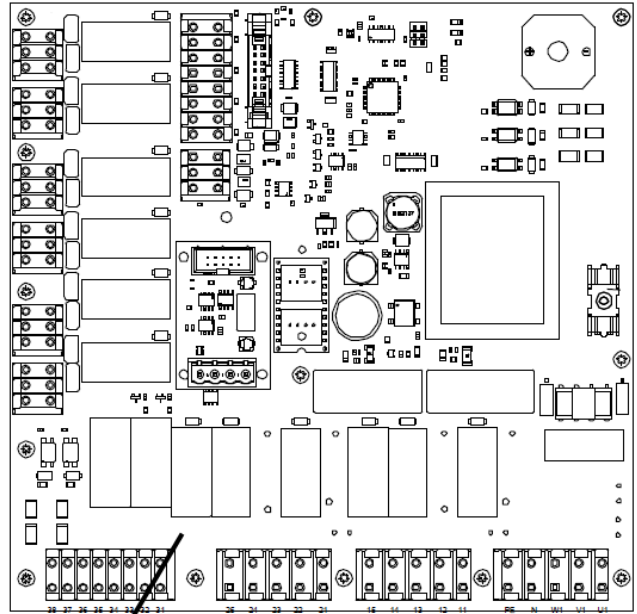
7	Controller box	ABS (Acrylonitrile butadiene styrene)	
8	Mainboard	Electronics	
Additional materials:		Screws, gaskets etc.: Various materials (steel, NBR) less than 5% of weight	





7

6



8