

PM Rain

End-of-Life Information

Grundfos PM Rain must be disposed of according to local regulations by using a public or private waste collection service. If this is not possible, contact the nearest Grundfos company or service workshop.

Safety Risk

- Safety related to materials used
There is no risk for people during the disassembly process posed by the materials used for the product.
- Safety related for handling the product
There is no risk for people when handling the product.

Disassembly of the Product

The main materials of the components are:

- Polypropylene (PP)
- Electronics scrap
- Iron
- Rubber, NBR

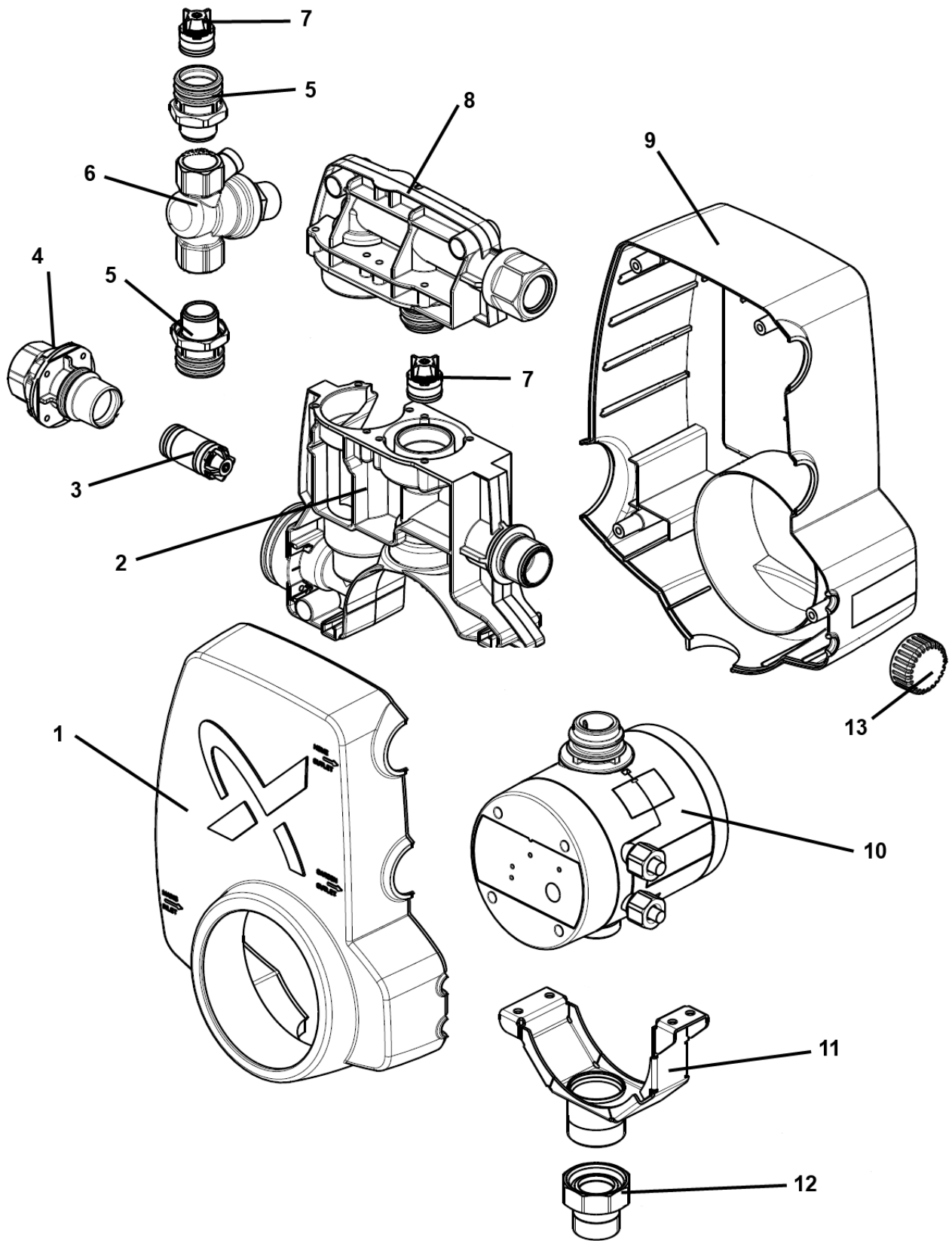
and can therefore be recycled to a large extend – depending on the national possibilities for recycling.

The product is assembled using screws and bolts and can be disassembled with standard tools.

Designation	Name	Material	Special Disassembly Consideration
1	Front cover	Polypropylene	
2	Main body	Polypropylene	
3	Dual non return valve	Polypropylene	
4	Fitting	Polypropylene	
5	Reducing valve fitting	Polypropylene	
6	Reducing valve	Polypropylene	
7	Non return valve	Polypropylene	
8	Frame	Polypropylene	
9	Rear cover	Polypropylene	
10	Control unit	see drawing below	
11	Support	Polypropylene	
12	Joint	Polypropylene	
13	Knob	Electronic scrap	

Additional materials:

Screws, gaskets, O-rings: Various materials less than 5% of weight.



Designation	Name	Material	Special Disassembly Consideration
1	Front cover	Polypropylene	
2	Display board	Electronic scrap	
3	Cover	Polypropylene	
4	Cover	Polypropylene	
5	Housing	Polypropylene	
6	Spring	Steel	
7	Valve	Polypropylene	
8	Control board	Electronic scrap	
9	Cable	Cable scrap	
10	Sensor	Electronic scrap	
11	Base plate	Polypropylene	
12	Sensor holder	Polypropylene	
13	Housing	Polypropylene	
14	Diaphragm	Rubber	
15	Cover	Polypropylene	
Additional materials:		Screws, gaskets: Various materials less than 5% of weight.	

