



Replacement guide

Select the best SOLOLIFT2 upgrade for
existing lifting stations in the home

Read more [→](#)

GRUNDFOS 

Possibility in every drop

Replacement guide SOLOLIFT2

Why upgrade to SOLOLIFT2?

When your customers find their lifting stations or macerators are increasingly prone to clogging, leakage, or foul odours, it's time to consider a replacement.

SOLOLIFT2 is the ideal upgrade: it's easier to select, install and service, and more robust and reliable, than competing lifting stations.

Easier to select

With only five models, SOLOLIFT2 covers all your needs. Grundfos offers a straightforward range of five SOLOLIFT2 models for domestic lift and removal applications. They're easy to size, don't overlap, and have the same name worldwide, so it's easy to make the right choice and remember what you need for future projects.

Easier to install

SOLOLIFT2 saves time in installation compared to many competitors. The plug-and-go, pre-assembled SOLOLIFT2 features smart inlet and outlet connections allowing up to 10mm movement, and a 360° turnable discharge adapter for easy horizontal or vertical fitting to existing discharge pipes.

Easier to service

SOLOLIFT2 is much easier to unblock and service than competing lifting stations. You can unblock SOLOLIFT2 with just a screwdriver. A modular motor on the WC models makes any replacements easier. And, there's a full range of spare parts to keep service time – and costs to your customers – to a minimum.

Robust and reliable

SOLOLIFT2 is built to be stronger, more efficient, and more hot-water resistant. SOLOLIFT2 is resistant to up to 90°C in greywater applications for up to 30 minutes (the C-3 model) – more than any competitor. The WC models feature more powerful motors and professional-grade cutters to ensure wastewater keeps flowing.

Find your existing pump overleaf to see its direct SOLOLIFT2 replacement.

What pump are you replacing?

Replacement overview: ensuring a perfect fit

When it comes to selecting a replacement pump, precision matters. That's why our replacement overview is designed to ensure that your new SOLOLIFT2 integrates seamlessly into the existing setup. Here's how we do it:

- **Size compatibility:** we carefully compare the overall dimensions (length, height and width) of every pump to ensure it fits perfectly in the intended space based on the technical data from the manufacturer's website.
- **Inlet and outlet positioning:** the exact position and size of both inlets and outlets are matched, minimising the need for significant modifications.
- **Connection count:** we verify the number of inlets and outlets for a hassle-free installation.
- **Ease of installation:** our analysis checks whether the replacement can be performed with only minor pipe adjustments or by reusing your current accessories, like extension pipes and adaptors, saving you time and cost.

With these criteria at the heart of our replacement overview, you can be confident in a smooth, efficient transition to your new pump – no surprises, just reliable performance.

Can't find your existing pump here?

No worries. There's still a suitable SOLOLIFT2 for you; it might just mean a little extra installation work. Just reach out to your local Grundfos contact – they'll be happy to assist.

Please note: this overview is based on technical datasheets and information from manufacturers' websites. Specifications may vary.

- Fits without adjustments
- Fits with minor adjustments or optional accessories

Brand	Pump model	Fit	Replacement model
CICLON	LS Macerator	●	SOLOLIFT2 C-3
	XS Macerator	●	SOLOLIFT2 WC-1
	L Macerator	●	SOLOLIFT2 WC-1
	FIT Macerator	●	SOLOLIFT2 WC-3
	L Macerator	●	SOLOLIFT2 WC-3
DAB	GENIX VT 010	●	SOLOLIFT2 C-3
	GENIX VT 030	●	SOLOLIFT2 C-3
	GENIX WL 130	●	SOLOLIFT2 CWC-3
	GENIX WL 110	●	SOLOLIFT2 CWC-3
	GENIX 110(COMFORT)	●	SOLOLIFT2 WC-1
	GENIX 130(COMFORT)	●	SOLOLIFT2 WC-3
IBO	Aquasan mini bathroom pump	●	SOLOLIFT2 D-2
	Aquasan pro toilet pump	●	SOLOLIFT2 WC-1
	Sanibo 4 toilet pump	●	SOLOLIFT2 WC-3
JIMTEN	CICLON LS ,EB-705	●	SOLOLIFT2 C-3
	CICLON T-604CS	●	SOLOLIFT2 CWC-3
	CICLON L, T-503	●	SOLOLIFT2 WC-1
	CICLON L,T-604L	●	SOLOLIFT2 WC-1
	CICLON XS, T502	●	SOLOLIFT2 WC-1
	"CICLON FIT1, T501FIT"	●	SOLOLIFT2 WC-1
	CICLON FIT2, T502FIT	●	SOLOLIFT2 WC-1
	CICLON L, T-503	●	SOLOLIFT2 WC-3
	CICLON L, T-604L	●	SOLOLIFT2 WC-3
	CICLON FIT 3,T503FIT	●	SOLOLIFT2 WC-3
KESSEL	MINILIFT F	●	SOLOLIFT2 WC-3

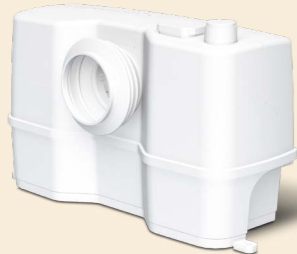
LEO	WC601C	●	SOLOLIFT2 C-3
	WC601B	●	SOLOLIFT2 CWC-3
	WC600A	●	SOLOLIFT2 WC-3
	WC601A	●	SOLOLIFT2 WC-3
SFA	SANI ACCESS PUMP 升利达	●	SOLOLIFT2 C-3
	SANISPEED (PLUS)升利畅	●	SOLOLIFT2 C-3
	SANIVITE 升利流/ SANI PUMP2 (US variant)	●	SOLOLIFT2 C-3
	SANIPOMPE VITE	●	SOLOLIFT2 C-3
	SANIPACK / SANINSIDE 升利影	●	SOLOLIFT2 CWC-3
	SANIPACK PRO UP 升利达影/SANIACCESS PACK	●	SOLOLIFT2 CWC-3
	SANIDOUCHE+ / SANISHOWER+升利加酒 / SANIPUMP+ / SANIFLOOR UP	●	SOLOLIFT2 D-2
	SANIDOUCHE / SANISHOWER 升利酒 / SANI PUMP	●	SOLOLIFT2 D-2
	SANIDOUCHE FLAT / SANISHOWER FLAT including siphon	●	SOLOLIFT2 D-2
	SANIFLO 升利保	●	SOLOLIFT2 WC-1
	SANIACCESS 1	●	SOLOLIFT2 WC-1
	SANIACCESS 2 升利达2	●	SOLOLIFT2 WC-1
	SANIBROYEUR PRO UP / SANI BROY PRO UP / SANITOP UP	●	SOLOLIFT2 WC-1
	SANIBROYEUR UP / SANIBROY UP / SANIFLO UP / SANITRIT UP	●	SOLOLIFT2 WC-1
	SANITOP 升利体 / SANIBROYEUR PRO / SANIBROY PRO	●	SOLOLIFT2 WC-1
	SANIBROYEUR TOP SILENCE / SANI 2	●	SOLOLIFT2 WC-1
	SANIBROYEUR SILENCE / SANI 1 : SANIBROYEUR/ SANIBROY / SANIFLO / SANITRIT	●	SOLOLIFT2 WC-1
	"SANIACCESS 3 升利达3"	●	SOLOLIFT2 WC-3
	SANIPLUS UP	●	SOLOLIFT2 WC-3
	SANIPLUS UP IP IP68/升利加	●	SOLOLIFT2 WC-3
	SANIPRO XR UP / SANIPRO UP	●	SOLOLIFT2 WC-3
	SANIPRO / SANIPRO XR 升利添	●	SOLOLIFT2 WC-3
	SANISLIM	●	SOLOLIFT2 WC-3
SANIPLUS	●	SOLOLIFT2 WC-3	
SANIBEST PRO 升利倍	●	SOLOLIFT2 WC-3	
SANIBROYEUR PLUS SILENCE / SANI 3	●	SOLOLIFT2 WC-3	
SHIMGE	WT500B	●	SOLOLIFT2 CWC-3
	WT400A	●	SOLOLIFT2 WC-1
	WT400A	●	SOLOLIFT2 WC-3
	WT500A	●	SOLOLIFT2 WC-3
WATERMATIC	VD80	●	SOLOLIFT2 D-2
WATERMATIC (SFA)	VD110	●	SOLOLIFT2 C-3
	VD120	●	SOLOLIFT2 C-3
	W16P	●	SOLOLIFT2 CWC-3
	"VD90 including siphon"	●	SOLOLIFT2 D-2
	W19P	●	SOLOLIFT2 WC-3
	W15SP SILENCE	●	SOLOLIFT2 WC-3
WILO	HiDrainlift 3-35	●	SOLOLIFT2 C-3
	HiDrainlift 3-37	●	SOLOLIFT2 C-3
	HiSewlift 3-135	●	SOLOLIFT2 CWC-3
	HiDrainlift 3-24	●	SOLOLIFT2 D-2
	HiSewlift 3-15	●	SOLOLIFT2 WC-1
	Hisewlift 3-35	●	SOLOLIFT2 WC-3

SOLOLIFT2 models



Lifting stations with macerator

Suitable for blackwater



WC-1

Perfect for single toilet installations with one optional additional sanitary appliance.

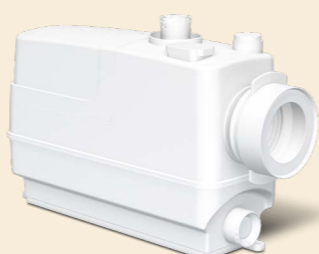
Page 8



WC-3

Handles wastewater from a toilet and up to three additional sanitary appliances.

Page 10



CWC-3

Suitable for wall-hung toilets and up to three additional sanitary appliances.

Page 12

Lifting stations

Suitable for greywater



C-3

Capable of handling hot water from up to three appliances such as washing machines and dishwashers, along with other grey wastewater sources.

Page 14



D-2

Extremely compact, for two appliances such as a washbasin, shower or bidet.

Page 16

Accessories

Included with SOLOLIFT2

- Inlet and outlet adapters – connect pipes between 22–50 mm in diameter.

Optional

- Flexible replacement hose – including two clamps and outlet adapter; 500 mm length
- Adapter kit – for second inlet
- Alarm system – slot-in alarm to warn of any malfunction

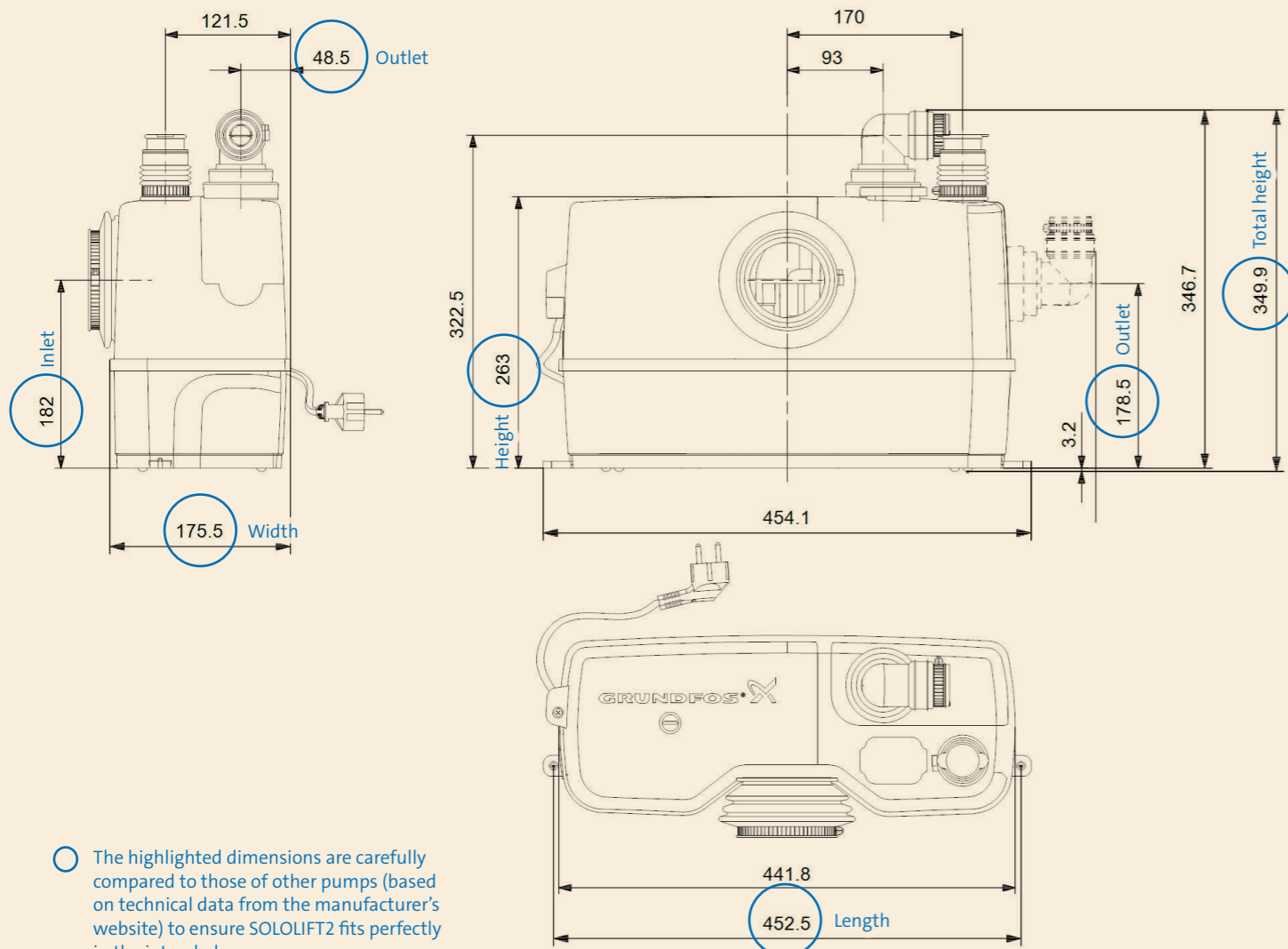
Page 18

SOLOLIFT2 WC-1

Perfect for single toilet installations with one optional additional sanitary appliance.



Discharge connection: $\varnothing 22/25/28/32/36/40$
Additional inlet: 1x $\varnothing 32/36/40$ at the top



The highlighted dimensions are carefully compared to those of other pumps (based on technical data from the manufacturer's website) to ensure SOLOLIFT2 fits perfectly in the intended space.

Suitable for pumping wastewater from: 1x toilet (floor standing)

Additional sanitary appliances optional, e.g.: 1x washbasin, bidet or urinal

Replacement for:

Fits without adjustments

The following pumps can simply be swapped out directly with SOLOLIFT2. Its included accessory bag will include all relevant fittings.

Brand	Pump model
DAB	GENIX 130(COMFORT)
IBO	Aquasan pro toilet pump
SFA	SANIFLO 升利保
	SANIACCESS 1
	SANIACCESS 2 升利达2
	SANIBROYEUR PRO UP / SANI BROY PRO UP / SANITOP UP
	SANIBROYEUR UP / SANIBROY UP / SANIFLO UP / SANITRIT UP
	SANITOP 升利体 / SANIBROYEUR PRO / SANIBROY PRO
	SANIBROYEUR TOP SILENCE / SANI 2
	SANIBROYEUR SILENCE / SANI 1 : SANIBROYEUR/ SANIBROY / SANIFLO / SANITRIT
WILO	Hisewlift 3-35

Fits with minor adjustments or optional accessories

The following pumps are also directly replaceable, but slight differences in piping, dimensions or outlet layout may need to be considered. If in doubt, your local Grundfos partner will be happy to assist.

Brand	Pump model
CICLON	XS Macerator
	L Macerator
JIMTEN	CICLON L, T-503
	CICLON L,T-604L
	CICLON XS, T502
	CICLON FIT1, T501FIT
	CICLON FIT2, T502FIT
SHIMGE	WT400A

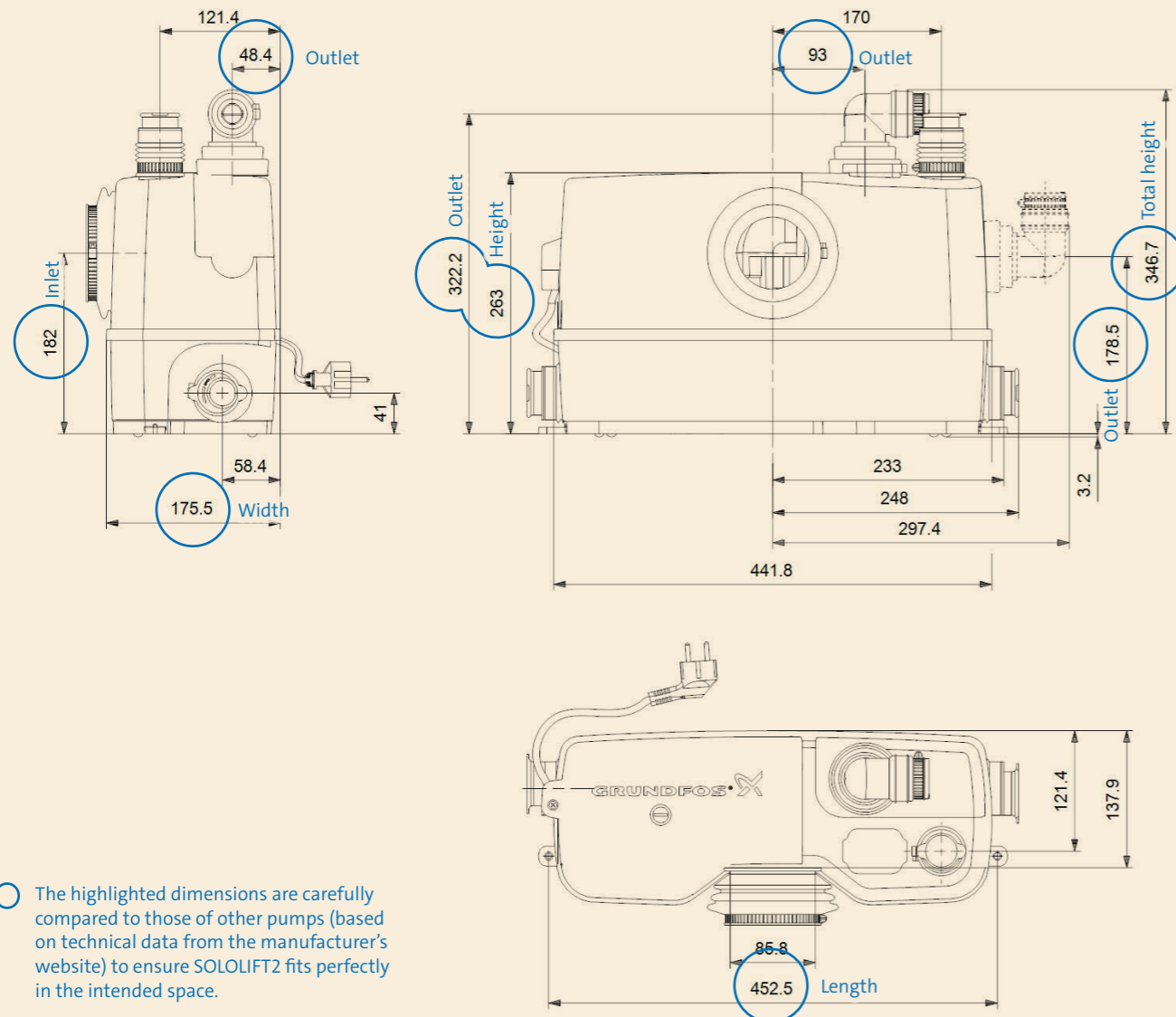
Please note: this overview is based on technical datasheets and information from manufacturers' websites. Specifications may vary.

SOLOLIFT2 WC-3

Handles wastewater from a toilet and up to three additional sanitary appliances.



Discharge connection: $\varnothing 22/25/28/32/36/40$
 Additional inlet: 1x $\varnothing 32/36/40$ at the top
 2x $\varnothing 36/40/50$ on the left and right sides of the tank



The highlighted dimensions are carefully compared to those of other pumps (based on technical data from the manufacturer's website) to ensure SOLOLIFT2 fits perfectly in the intended space.

Suitable for pumping wastewater from: 1x toilet (floor standing)

Additional sanitary appliances optional, e.g.: 1x washbasin, 1x shower, 1x bidet or urinal

Replacement for:

● Fits without adjustments

The following pumps can simply be swapped out directly with SOLOLIFT2. Its included accessory bag will include all relevant fittings.

● Fits with minor adjustments or optional accessories

The following pumps are also directly replaceable, but slight differences in piping, dimensions or outlet layout may need to be considered. If in doubt, your local Grundfos partner will be happy to assist.

Brand	Pump model
DAB	GENIX 130(COMFORT)
LEO	WC600A WC601A
SFA	"SANIACCESS 3 升利达3" SANIPLUS UP SANIPLUS UP IP IP68/升利加 SANIPRO XR UP / SANIPRO UP SANIPRO / SANIPRO XR 升利添 SANISLIM SANIPLUS SANIBEST PRO 升利倍 SANIBROYEUR PLUS SILENCE / SANI 3
WILO	Hisewlift 3-35

Brand	Pump model
CICLON	FIT Macerator L Macerator
IBO	Sanibo 4 toilet pump
JIMTEN	CICLON L, T-503 CICLON L, T-604L CICLON FIT 3,T503FIT
KESSEL	MINILIFT F
SHIMGE	WT400A WT500A
WATERMATIC (SFA)	W19P W15SP SILENCE

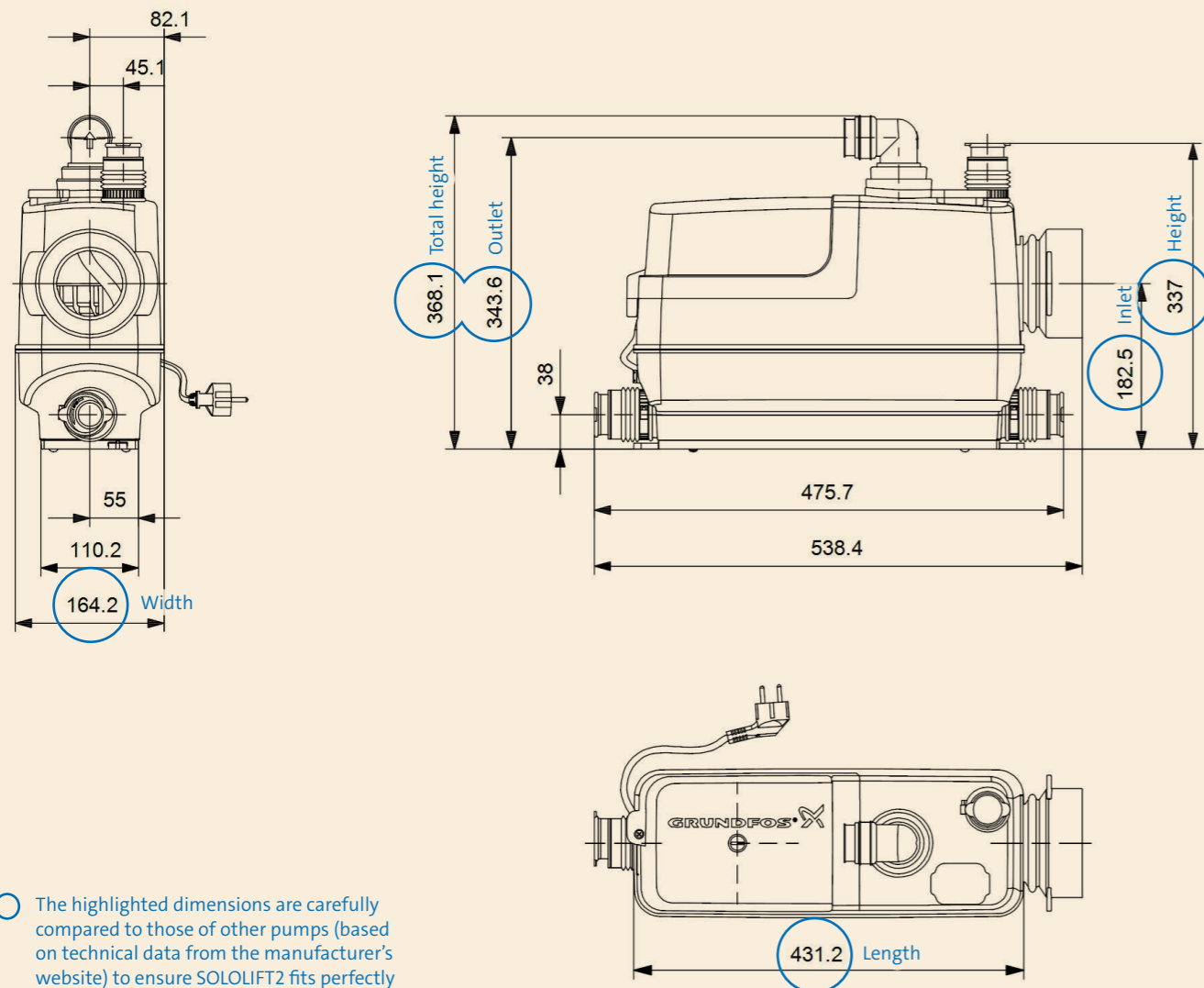
Please note: this overview is based on technical datasheets and information from manufacturers' websites. Specifications may vary.

SOLOLIFT2 CWC-3

Suitable for wall-hung toilets and up to three additional sanitary appliances.






Discharge connection: $\varnothing 22/25/28/32/36/40$
 Additional inlet: 1x $\varnothing 32/36/40$ at the top
 2x $\varnothing 36/40/50$ on the left and right sides of the tank



The highlighted dimensions are carefully compared to those of other pumps (based on technical data from the manufacturer's website) to ensure SOLOLIFT2 fits perfectly in the intended space.



Suitable for pumping wastewater from: 
 1x toilet (wall hung)

Additional sanitary appliances optional, e.g.:   
 1x washbasin, 1x shower, 1x bidet or urinal

Replacement for:

● Fits without adjustments

The following pumps can simply be swapped out directly with SOLOLIFT2. Its included accessory bag will include all relevant fittings.

Brand	Pump model
DAB	GENIX WL 130
	GENIX WL 110
SFA	SANIPACK PRO UP 升利达影/ SANIACCESS PACK

● Fits with minor adjustments or optional accessories

The following pumps are also directly replaceable, but slight differences in piping, dimensions or outlet layout may need to be considered. If in doubt, your local Grundfos partner will be happy to assist.

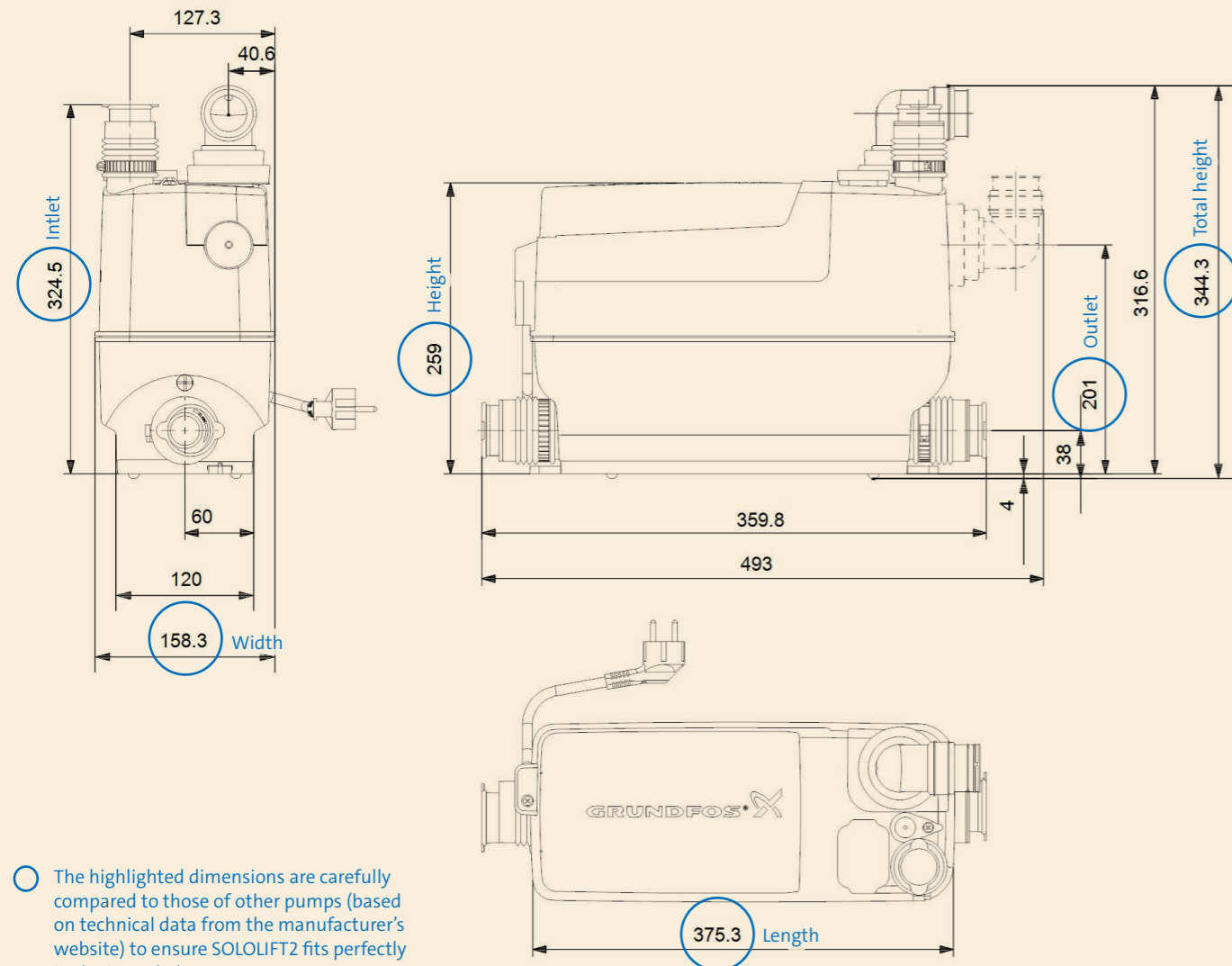
Brand	Pump model
JIMTEN	CICLON T-604CS
LEO	WC601B
SFA	SANIPACK / SANINSIDE 升利影
SHIMGE	WT500B
WATERMATIC (SFA)	W16P
WILO	HiSewlift 3-I35

SOLOLIFT2 C-3

Capable of handling hot water from up to three appliances such as washing machines and dishwashers, along with other grey wastewater sources.



Discharge connection: $\varnothing 22/25/28/32/36/40$
 Additional inlet: 1x $\varnothing 32/36/40$ at the top
 2x $\varnothing 36/40/50$ on the left and right sides of the tank



The highlighted dimensions are carefully compared to those of other pumps (based on technical data from the manufacturer's website) to ensure SOLOLIFT2 fits perfectly in the intended space.

Suitable for pumping grey wastewater from three different appliances in total e.g.:
 1x washing machine and/or dishwasher (hot water resistant up to 90°C for 30 minutes)
 1x bathtub and/or shower
 1x washbasin or kitchen sink



Fits into pre-wall installations and has 20 mm free passage.

Replacement for:

● Fits without adjustments

The following pumps can simply be swapped out directly with SOLOLIFT2. Its included accessory bag will include all relevant fittings.

Brand	Pump model
DAB	GENIX VT 010
	GENIX VT 030
LEO	WC601C
SFA	SANI ACCESS PUMP 升利达
	SANISPEED (PLUS) 升利物
	SANIVITE 升利流/ SANI PUMP2 (US variant)
	SANIPOMPE VITE
WATERMATIC (SFA)	VD120
WILO	HiDrainlift 3-35
	HiDrainlift 3-37

● Fits with minor adjustments or optional accessories

The following pumps are also directly replaceable, but slight differences in piping, dimensions or outlet layout may need to be considered. If in doubt, your local Grundfos partner will be happy to assist.

Brand	Pump model
CICLON	LS Macerator
JIMTEN	CICLON LS ,EB-705
WATERMATIC (SFA)	VD110

Please note: this overview is based on technical datasheets and information from manufacturers' websites. Specifications may vary.

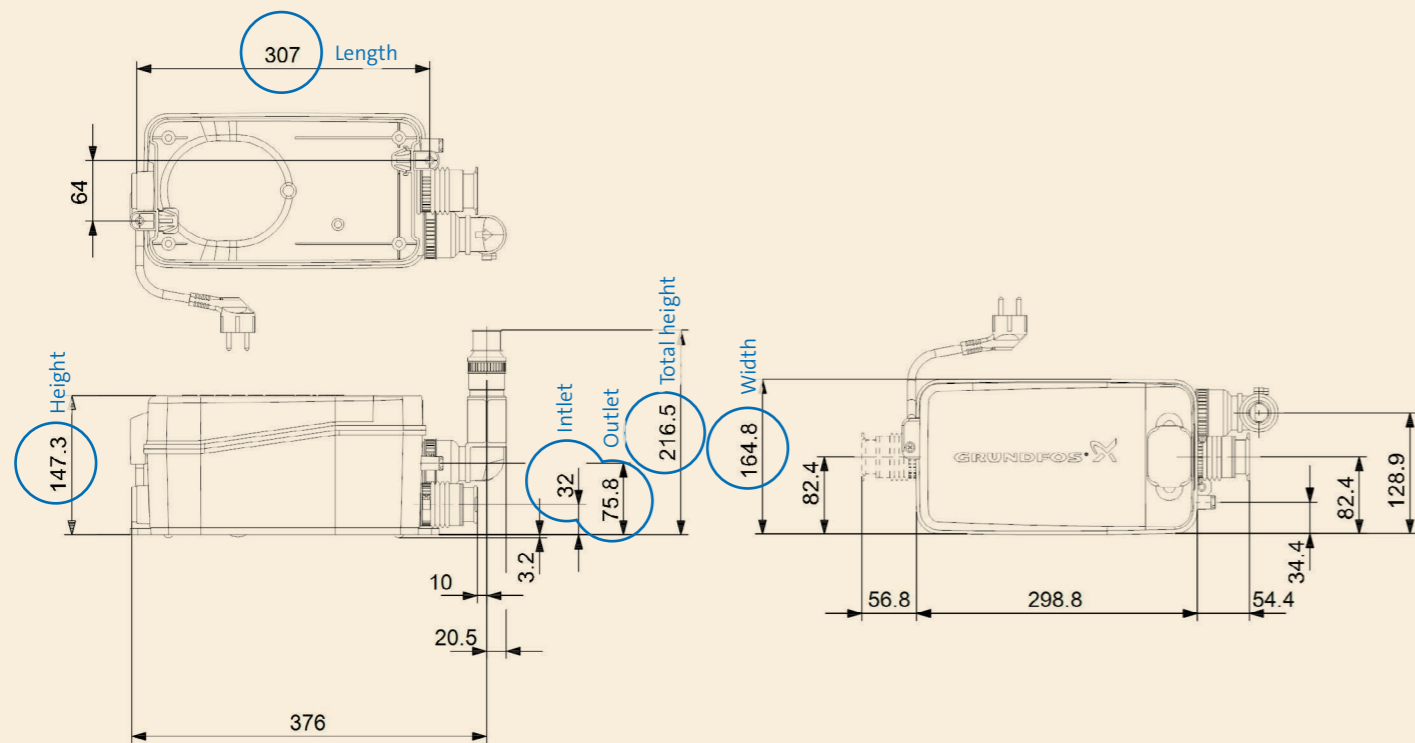
SOLOLIFT2 D-2

Extremely compact, for two appliances such as a washbasin, shower or bidet.



Discharge connection: $\varnothing 22/32$

Additional inlet: 2x $\varnothing 36/40/50$ on the left and right sides of the tank



The highlighted dimensions are carefully compared to those of other pumps (based on technical data from the manufacturer's website) to ensure SOLOLIFT2 fits perfectly in the intended space.



Suitable for two different sanitary appliances, e.g.:

1x washbasin

1x shower or bidet



Replacement for:

Fits without adjustments

The following pumps can simply be swapped out directly with SOLOLIFT2. Its included accessory bag will include all relevant fittings.

Brand	Pump model
IBO	Aquasan mini bathroom pump
SFA	SANIDOUCHE+ / SANISHOWER+升利加酒 / SANIPUMP+/SANIFLOOR UP SANIDOUCHE / SANISHOWER 升利酒 / SANI PUMP SANIDOUCHE FLAT / SANISHOWER FLAT including siphon
WATERMATIC	VD80

Fits with minor adjustments or optional accessories

The following pumps are also directly replaceable, but slight differences in piping, dimensions or outlet layout may need to be considered. If in doubt, your local Grundfos partner will be happy to assist.

Brand	Pump model
WATERMATIC (SFA)	VD90 including siphon
WILO	HiDrainlift 3-24

Accessories for SOLOLIFT2

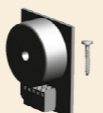




Every SOLOLIFT2 is supplied with an inlet and outlet adapter kit. Optional accessories are also available where needed to complete your installation.

Included in the package with SOLOLIFT2

Product	Description	Applicable to	Product number
	Kit, second inlet ø40/40/32.	D-2	97775334
	Kit, second inlet ø50/50/40.	WC-3, CWC-3, C-3	97775335
	Kit, adapter ø36 UK.	WC-1, WC-3, CWC-3, C-3, D2	97775336
	Outlet ø32, ø40	WC-1, WC-3, CWC-3, C-3	
	Discharge plug and discharge extension, outlet	WC-1, WC-3, C-3	
	Adapters for different pipe sizes, outlet, ø22, ø25, ø28, and ø36	WC-1, WC-3, CWC-3, C-3	
	Clamp for connection, outlet	WC-1, WC-3, CWC-3, C-3	
	Outlet, ø22, ø32	D-2	



Optional accessories

Product	Description	Applicable to	Product number
	Acoustic alarm in case of malfunction. Printed-circuit board to be pushed into an internal slot.	WC-1, WC-3, CWC-3	97772315
	Flexible PVC hose with two clamps and an adapter for the outlet of SOLOLIFT2. Length: 500 mm Inner diameter: ø32 Outer diameter: ø38	WC-1, WC-3, CWC-3, C-3	97772316
	Magnetic float switch. Cable length: 10 m	C-3	97775337
	Flexible PVC hose with two clamps and a plug. Applicable when the SOLOLIFT2 tank is to be drained for service. Length: 500 mm Inner diameter: ø12 Outer diameter: ø14.4	WC-1, WC-3	97789093
	Connecting a SOLOLIFT2 WC-1 or WC-3 to some toilet variants, such as Ifö, can be a challenge. These toilets have a ceramic frame around the outlet connection at the back preventing (fast) connection to SOLOLIFT2. An extension pipe can help the installer speed up installation in those cases.	WC1, WC-3	98162129 (250 mm) 98162133 (160 mm)

Grundfos Holding A/S
Poul Due Jensens Vej 7
DK-8850 Bjerringbro
Tel: +45 87 50 14 00
www.grundfos.com

GRUNDFOS 