

UPM10M, UPM10L, UPM10L SOLAR, UPM10XL, UPM20S, UPM20

End-of-Life Information

Grundfos UPM10M, UPM10L, UPM10L SOLAR, UPM10XL, UPM20S and UPM20 must be disposed of according to local regulations by using a public or private waste collection service. If this is not possible, contact the nearest Grundfos company or service workshop.

Safety risk

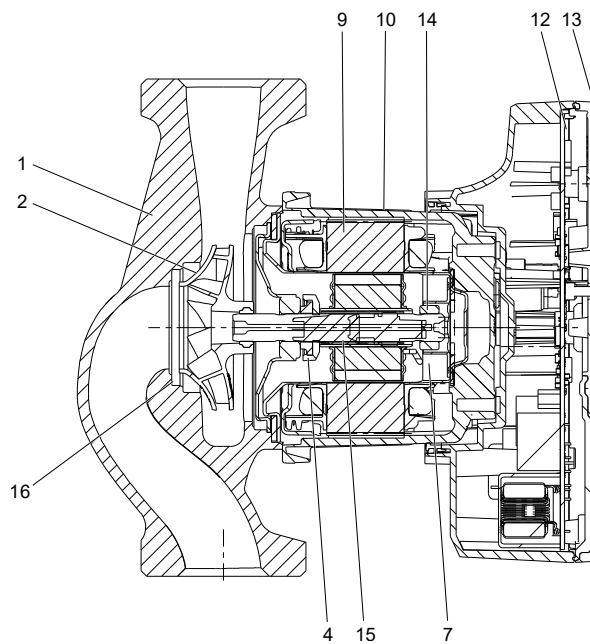
- **Safety risk related to materials used.**
There is no risk for people during the disassembly process posed by the materials used in the product.
- **Safety risk related to handling the product.**
The weight of the pump can become a risk during dismantling if the pump is dropped.

Dismantling the product

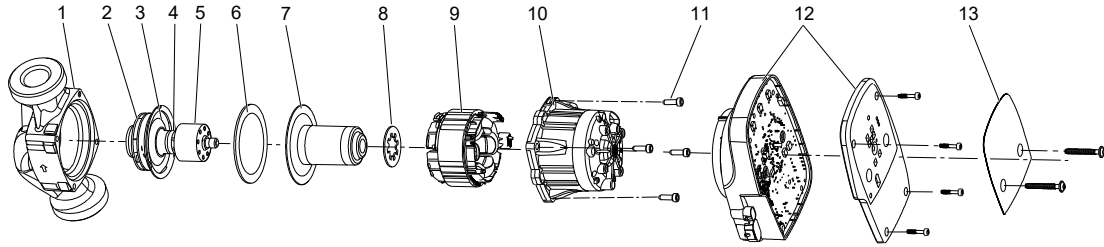
The main materials of the components are:

- Copper
- Cast iron
- Aluminium
- Electronic Components
- Composite Materials

and can therefore be recycled to a large extent – depending on the national possibilities for recycling. The pump is assembled by using screws and bolts and can be disassembled with standard tools. There are no loose parts inside the motor.



TN085430



TMM085429

Pos.	Component	Material	Special disassembly considerations
1	Pump housing	Cast iron GG15	
		Stainless steel	
		Composite PA 6.6 30 % GF	
		Composite PPS 40 % GF	
2	Impeller	PES 30% GF	
3	Bearing plate	Stainless steel	
	Ceramic ring	Ceramics, Alumina	
4	Axial bearing	Graphite	
	Bearing retainer	EPDM	
5	Rotor stack	Steel	
	Cover plates	Stainless steel	
	Magnet	Neodymium	
6	Rotor cladding	Stainless steel	
	Gasket	EPDM	
7	Rotor can	Stainless steel	
8	Gasket	EPDM	
9	Stator winding	Copper wire	The stator is heat-shrink fitted into the stator housing
	Stator lamination	Laminated iron	
	Pin for earth connection	Steel	
	Wire end cover for star point	PET 30% GF	
10	Cover for ingress protection	PET 30% GF	
	Stator housing	Aluminium, silumin	
11	Screws	Stainless steel	
	Control box	Polycarbonate 10% GF	
12	Control box sealing	TPV	
	Control electronics	PCB with SMD components	
	Screws	Steel	
13	Front foil	Polycarbonate	
14	Bearing	Ceramics, Alumina	The bearing is press fitted into the rotor can
	Bearing retainer	Stainless steel	
15	Shaft	Ceramics, Alumina	
16	Neck ring	Stainless steel	