

DMH

End-of-Life Information

Grundfos DMH Pumps must be disposed of according to local regulations by using a public or private waste collection service. If this is not possible, contact the nearest Grundfos company or service workshop.

To identify the specific product materials, please check the Type key available in the product nameplate as described in the product's Installation and operating instructions.

Safety Risk

Safety related to materials used

- The materials used in DMH pumps do not pose any health risk to the person handling them. Please observe the corresponding indications in the Installation and operating instructions for taking the product out of operation.
- The pump housing is filled with non-toxic hydraulic oil.

Safety related to handling the product

- The required safety measures for handling the chemical being dosed with this pump should be taken. The parts in contact with the fluid should be rinsed and cleaned before disposal in an environmentally sound way.
- The product should be taken out of operation according to the recommendations described in the Installation and operating instructions. The necessary precautions when draining the hydraulic oil from the pump should be followed.
- Care should be taken when handling the pump due to its weight.

Disassembly of the Product

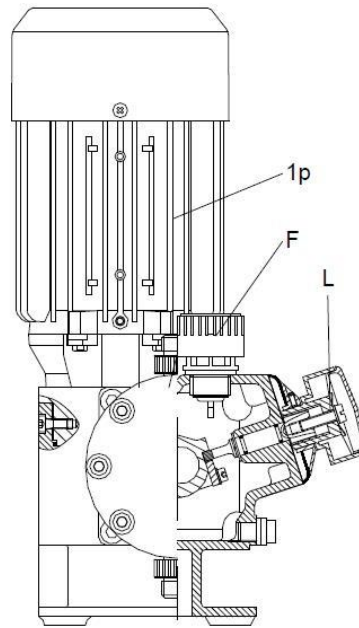
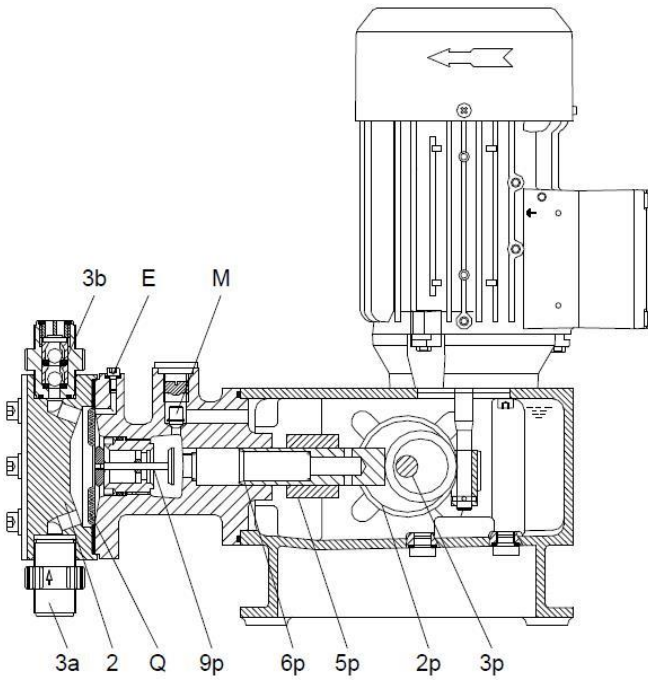
Depending on the pump model, the materials of the product components are:

- Stainless Steel of different grades
- Thermoplastics of different compositions
- Elastomers of different compositions
- Composites
- Aluminium
- Hydraulic oil
- Electronic scrap

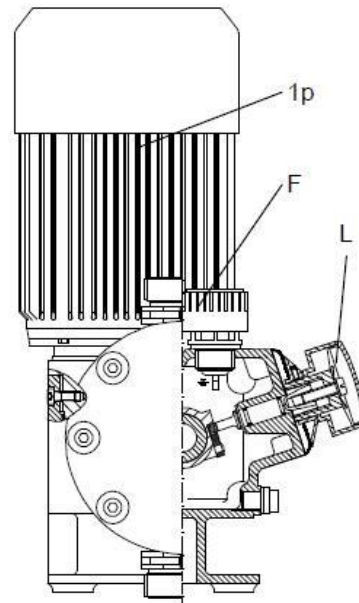
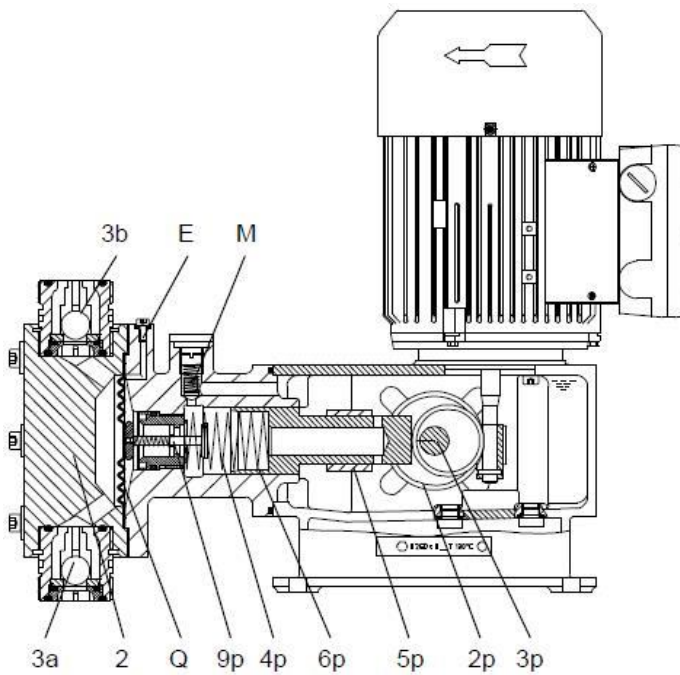
The pump can be disassembled with standard tools.

Designation	Name	Material	Special Disassembly Consideration
1p	Motor	Siemens asynchronous motor	Use a long Allen key to remove the motor retaining screws
2p	Worm gearing	Brass, steel	
3p	Eccentric	Steel	Apply a slide hammer to remove the complete gear shaft

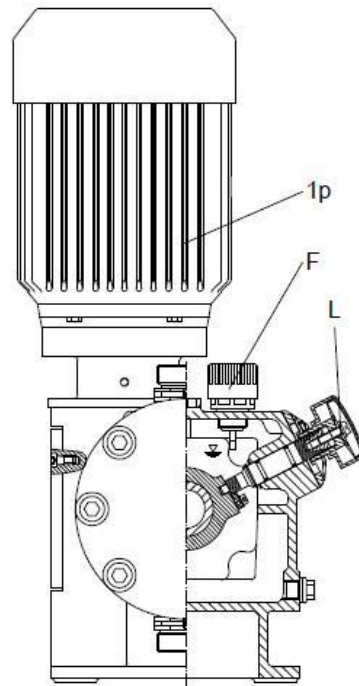
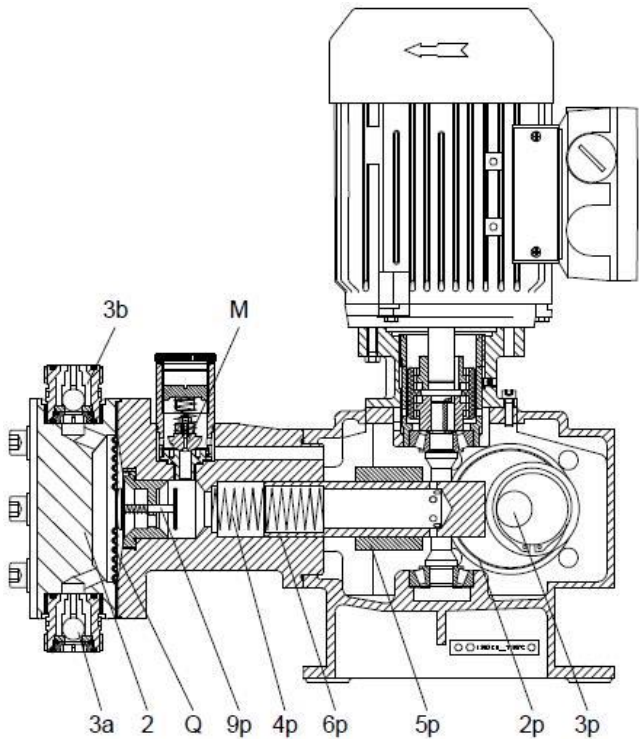
4p	Recuperating spring	Steel	Not available for models 251, 252 and 257
5p	Sliding plug	Steel	
6p	Piston	Steel	
7p	Crank		Only model 257
M	Combined overpressure and degassing valve	Aluminium housing, FKM elastomer, steel spring	
E	Degassing valve		Only models 251, 252, 253
9P	Diaphragm protection system	Steel	
Q	Dosing diaphragm	PTFE	
2	Dosing head	PVC or PP or PVDF or SS 1.4571 or Hastelloy® C	
3a	Suction valve housing	PVC or PP or PVDF or SS 1.4571 or Hastelloy® C	
3b	Discharge valve housing	PVC or PP or PVDF or SS 1.4571 or Hastelloy® C	
	Valve ball cage	PVC or PP or PVDF or SS 1.4571 or Hastelloy® C	
	Valve ball	Glass or Ceramic or SS 1.4401 or Hastelloy® C	
	Valve gaskets	EPDM or FKM or PTFE	
L	Stroke-length adjustment knob	ABS, Steel	
F	Oil-filling screw with dipstick	ABS, Steel	
V	Dosing head deaeration screw	PVC or PVDF or SS 1.4571 or Hastelloy® C	
	Pump enclosure	Aluminium or cast iron	
	AR control unit	Upper part of enclosure: PPO blend Lower part of enclosure: aluminium Electronic Scrap	Only for pumps with control variant AR



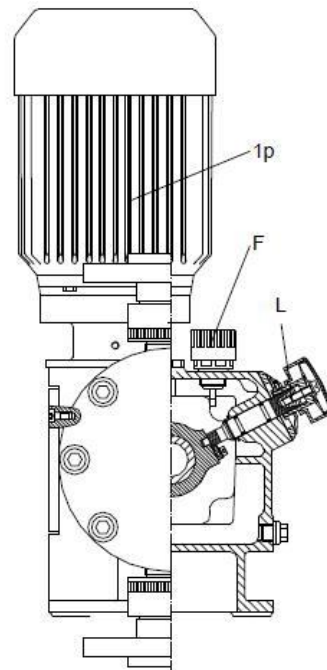
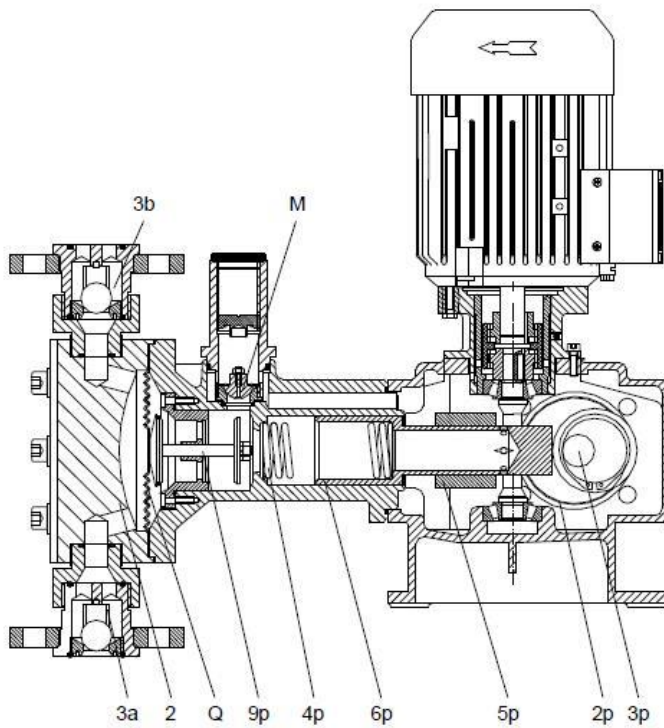
TM03 6448 4506



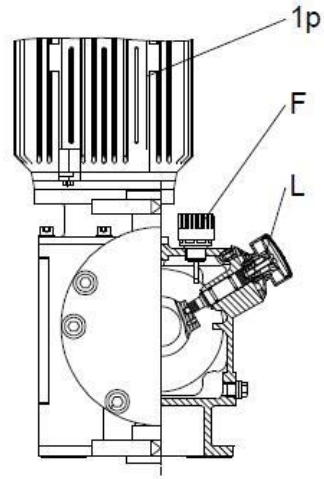
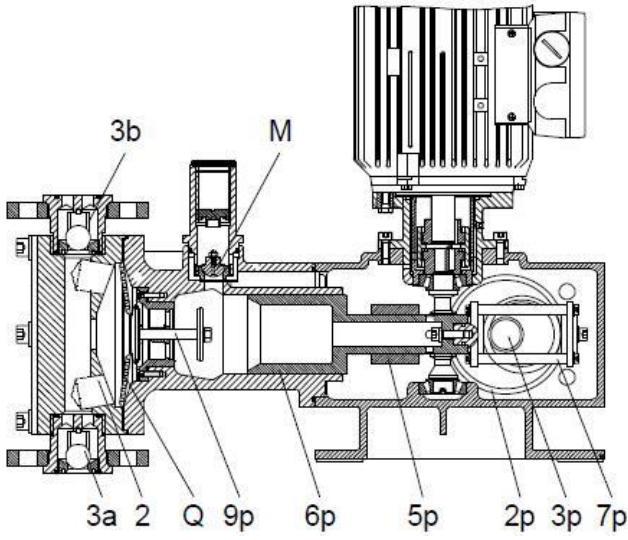
TM03 6449 4506



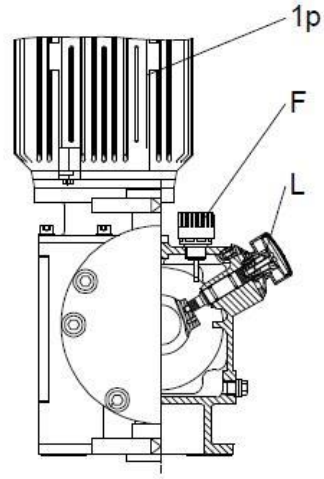
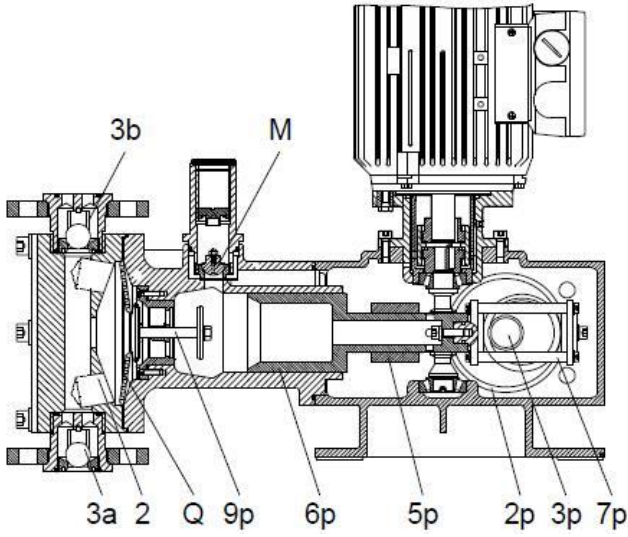
TM03 6450 4506



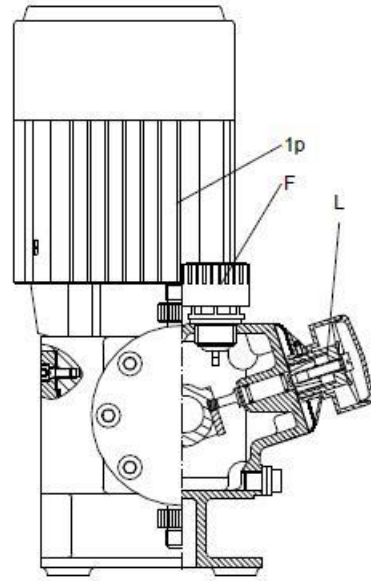
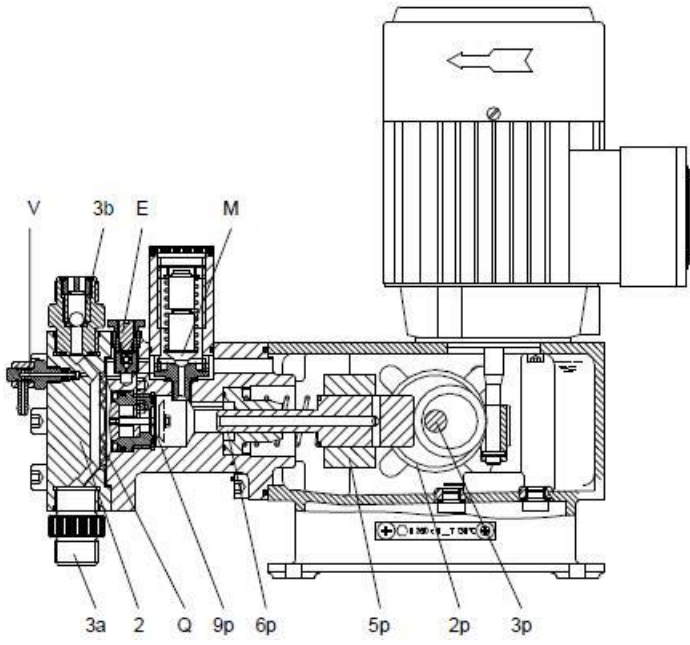
TM03 6451 4506



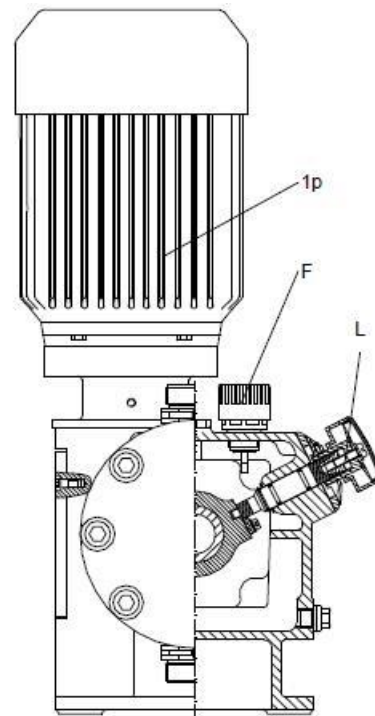
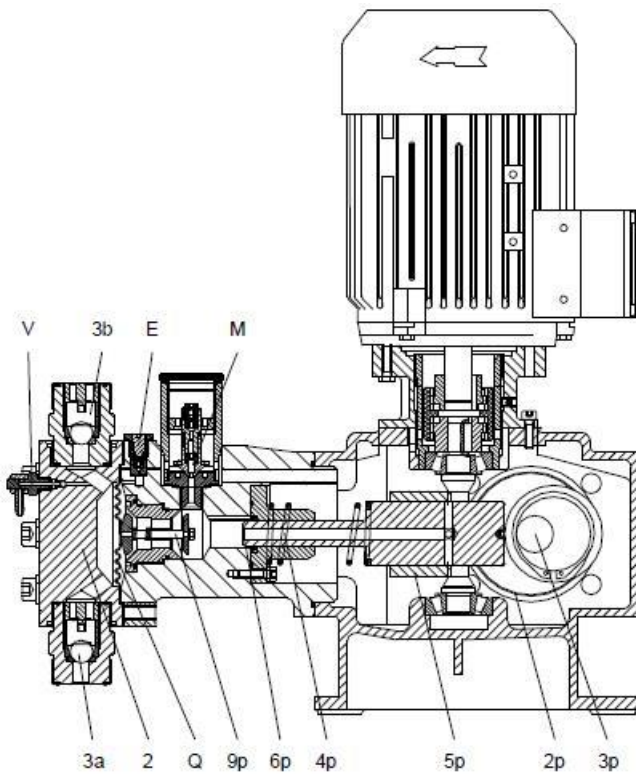
TM03 6452 4506



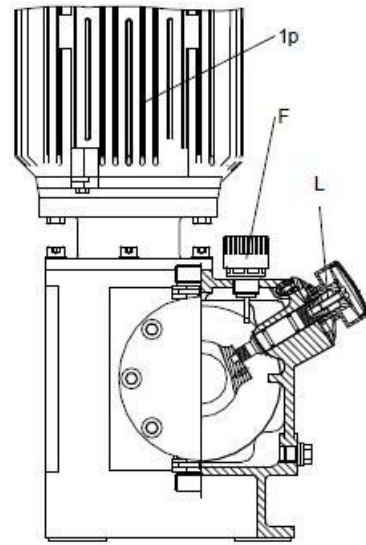
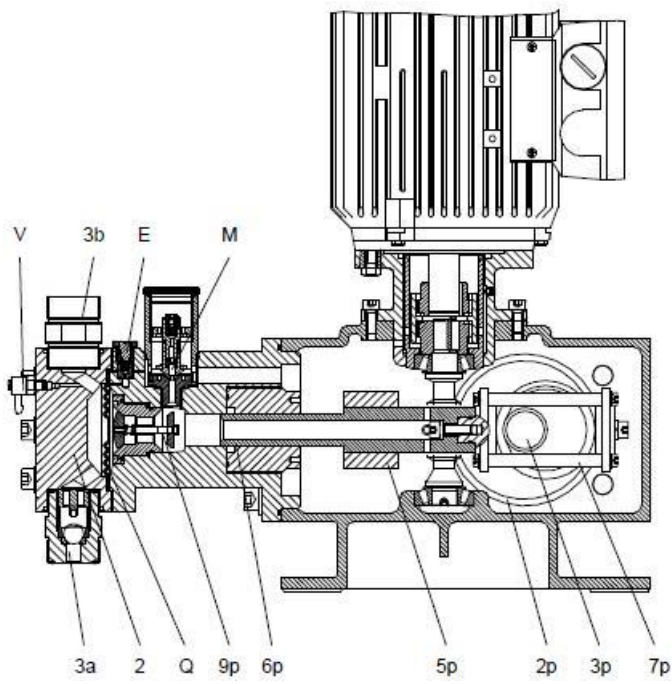
TM03 6452 4506



TM03 6856 4 506



TM03 6857 4506



TMD3 8858 4506