

1. GENIECON UNIT

End-of-Life Information

This document is intended for treatment and recycling facilities and provides information on components, materials, handling, and dismantling of the product when it reaches the end of its life, to facilitate correct and environmentally sound treatment.

Grundfos GENIECON UNIT must be disposed of in accordance with local regulations, using authorized WEEE collectors and designated collection points. If these are not available, please contact the nearest Grundfos company or service workshop.

Safety risk

- **Safety risk related to materials used.**

The product, being an electrical equipment, contains materials and substances that may be hazardous and pose risks to the environment if it becomes waste and is not handled correctly. Please refer to the [EU's SCIP database](#) and the REACH SVHC Content lookup tool via this [link](#) to find the SVHC content present in the product.

- **Safety risk related to handling the product.**

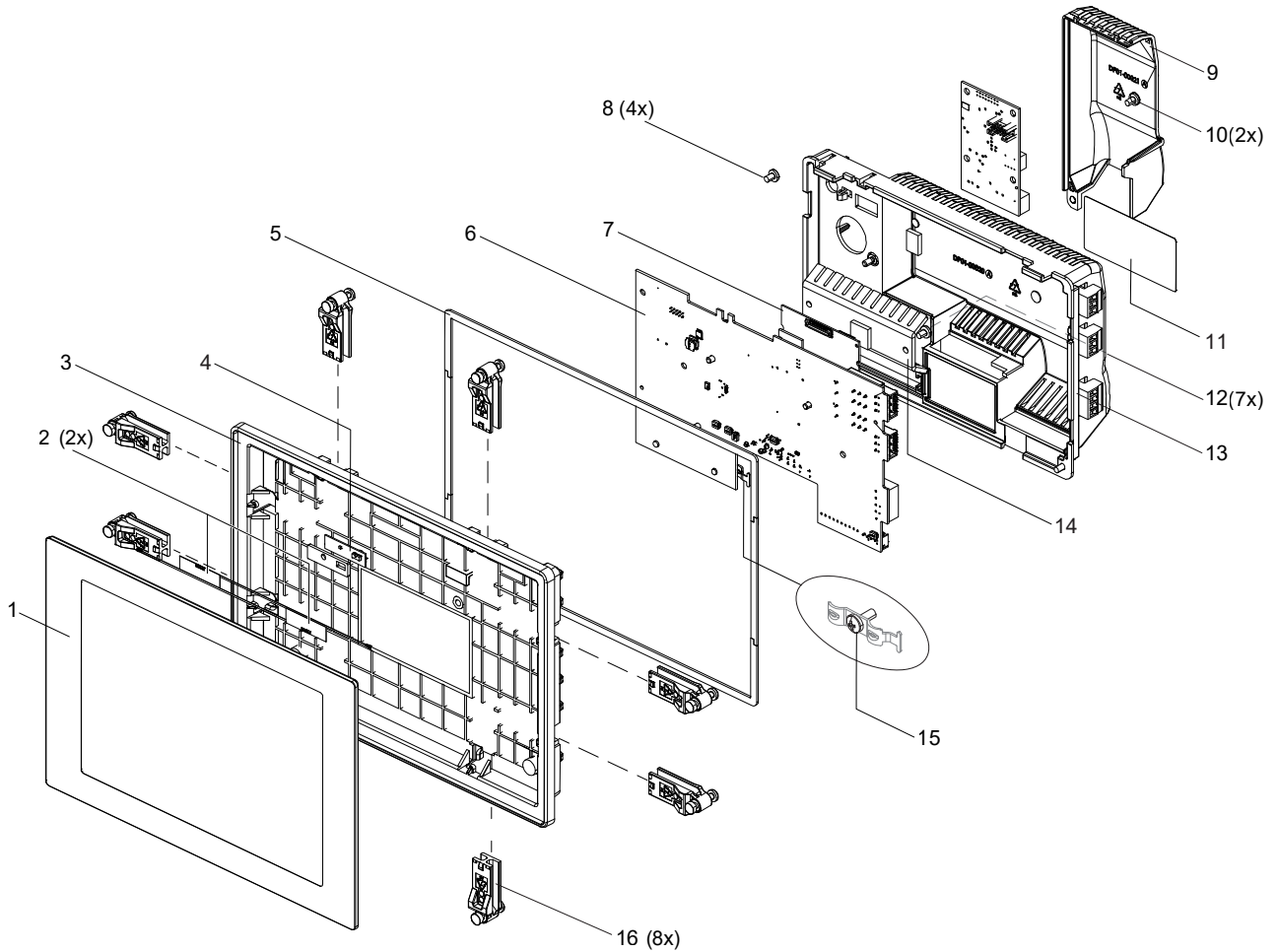
There is no immediate safety risk when handling the product. Do not touch the glass screen if it is damaged or broken in any way.

Dismantling the product

The main materials of the components are:

- Polymeric housing
- Printed circuit boards with various electronic components
- Glass touch screen.

The product can be dismantled with a Pozidriv PZ2 screwdriver. The product contains a CR1220 battery and this should be disposed of accordingly. See the GENIECON UNIT Installation and Operating Instructions 92956748, available online on www.grundfos.com, for instructions on how to dismantle the battery before disassembly of the product.



Pos.	Designation	Material
1	Touch panel	Glass
2	Antenna	Fibergalss epoxy laminate+copper
3	Mounting frame	Polycarbonate
4	Printed circuit board	Fiberglass epoxy laminate
5	Gasket	Polyurethane Foam
6	Printed circuit board	Fiberglass epoxy laminate
7	Printed circuit board	Fiberglass epoxy laminate
8	M4x6 Screw	Steel
9	Maintenance flap	Polycarbonate
10	M4x8 Screw	Steel
11	Nameplate	Polyester
12	M4x10 Screw	Steel
13	Back cover	Polycarbonate
14	Heat sink	Aluminium 3mm
15	Strain relief clamp	Stainless steel
16	Mounting clamp	Polycarbonate
17	M4x8 Clearence bolts (not shown)	Steel
18	M4x10 Clearence bolts (not shown)	Steel