

MTB

End-of-Life Information

Grundfos MTB pumps must be disposed of according to local regulations by using a public or private waste collection service. If this is not possible, contact the nearest Grundfos company or service workshop.

This information is only related to the pump part – for end-of-life information about the motor please look up the motor itself.

Safety risks

Safety risks related to materials used:

- There is no risk to people during the disassembly process posed by the materials used.

Safety risks related to handling the product:

- Take care when handling the pump due to the weight.

Disassembly of the product

The main materials of the components are these:

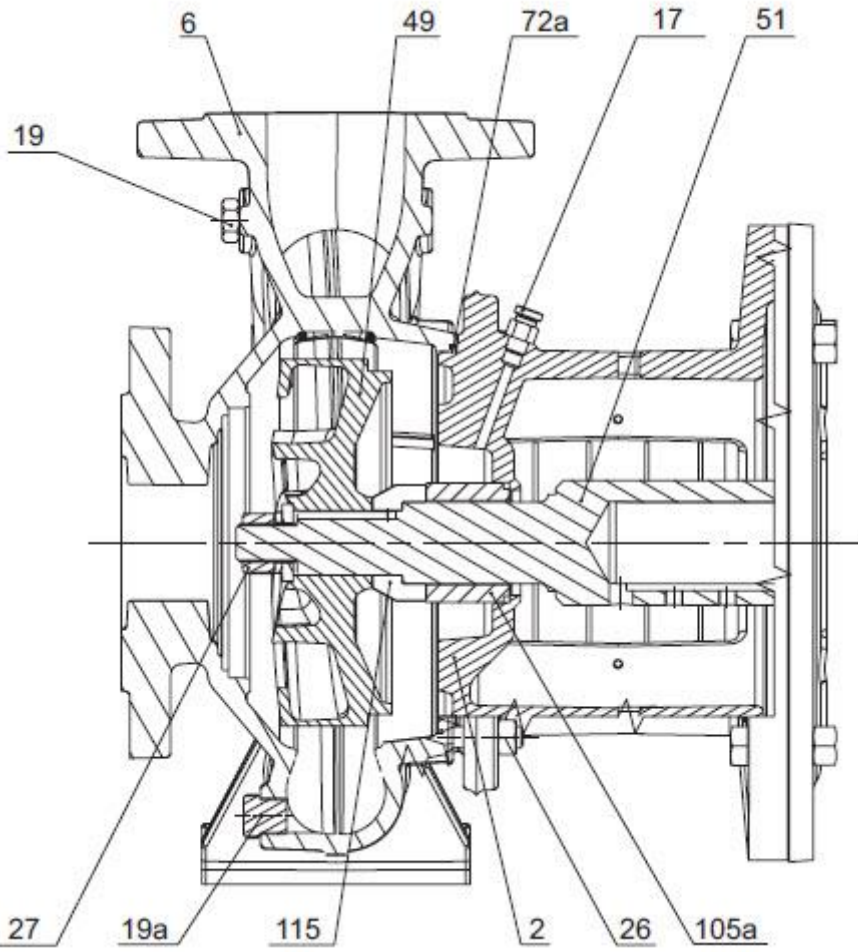
- Cast iron
- Brass
- Stainless steel.

The materials can therefore be recycled to a large extent – depending on the national possibilities for recycling.

Special disassembly considerations

Material specification

Pos.	Part	Material
2	Pump head	Cast iron, EN-GJL-250
6	Pump housing	Cast iron, EN-GJL-250
17	Air vent screw	Brass
19	Plug	-
19a	Plug	-
26	Nut	-
27	Nut	-
49	Impeller	Cast iron, EN-GJL-250
51	Pump shaft	Stainless steel, AISI 304
72a	O-ring	FKM
105a	Mechanical seal	SiC/SiC, FKM
115	Seal spacer	Stainless steel, AISI 304



stainless steel and steel parts are friction welded together.

TM03 1720 2805

For pump shafts the