

NB, NBG

End-of-Life Information

Grundfos NB, NBE, NBG and NBGE pumps must be disposed of according to local regulations by using a public or private waste collection service. If this is not possible, contact the nearest Grundfos company or service workshop.

This information is only related to the pump part – for end-of-life information about the motor please look up the motor itself.

Safety risks

Safety risks related to materials used:

- There is no risk to people during the disassembly process posed by the materials used.

Safety risks related to handling the product:

- Take care when handling the pump due to the weight.

Disassembly of the product

The main materials of the components are these:

- Cast iron
- Bronze
- Stainless steel.

The materials can therefore be recycled to a large extent – depending on the national possibilities for recycling. The materials in the pump can be identified by means of the material code on the nameplate and by using the materials table.

Special disassembly considerations

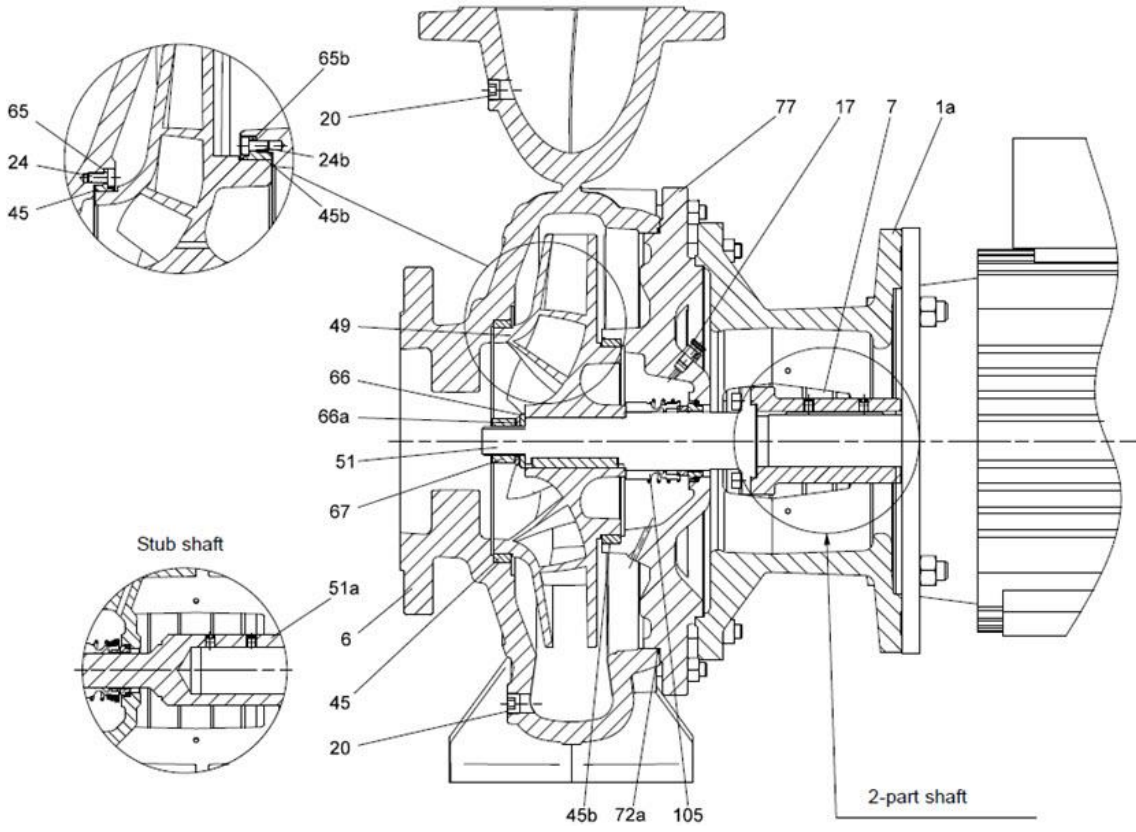
For stub shafts the stainless steel and steel parts are friction welded together.

Type

NB 32-125.1/142 AE-F-1-AE-S-BAQE

GRUNDFOS
DK-8960 Bjerringbo, Denmark

Pos.	Description	Materials	Material code																					
			A	B	C	D	E	F	G	H	I	J	K	L	M	N	P	R	S	T	U	W		
1a	Motor stool	EN-GJL-250	•	•	•	•	•	•	•	•	•	•	•	•	•	•	•	•	•	•	•	•		
6	Pump housing	EN-GJL-250	•	•	•	•	•	•	•	•	•	•	•	•	•	•	•	•	•	•	•	•		
		1.4408/CF8M	-	-	-	-	-	-	-	-	-	•	•	•	•	•	•	•	•	•	•	•		
7	Coupling guard	1.4517/CD4MCuN	-	-	-	-	-	-	-	-	-	-	•	•	•	•	•	•	•	•	•	•		
		1.4301/AISI 304	•	•	•	•	•	•	•	•	•	•	•	•	•	•	•	•	•	•	•	•	•	
17	Air vent plug	2.0401/CuZn44Pb2	•	•	•	•	•	•	•	•	•	•	•	•	•	•	•	•	•	•	•	•		
		1.4401/AISI 316	-	-	-	-	-	-	-	-	-	-	-	-	-	-	-	-	-	-	•	•		
		1.4539/AISI 904L	-	-	-	-	-	-	-	-	-	-	-	-	•	•	•	•	•	•	•	•	•	
20	Plug	ISO 898 8.8 carbon steel	•	•	•	•	•	•	•	•	•	•	•	•	•	•	•	•	•	•	•	•		
		1.4401/AISI 316	-	-	-	-	-	-	-	-	-	-	-	-	-	-	-	-	-	-	-	•	•	
		1.4539/AISI 904L	-	-	-	-	-	-	-	-	-	-	-	-	-	-	-	-	-	-	-	-	•	•
24	Hexagon socket head cap screw	1.4401/AISI 316	-	-	-	-	-	-	-	-	-	-	-	-	-	-	-	-	-	-	-	•	•	
		1.4539/AISI 904L	-	-	-	-	-	-	-	-	-	-	-	-	-	-	-	-	-	-	-	-	•	•
24b	Hexagon socket head cap screw	1.4401/AISI 316	-	-	-	-	-	-	-	-	-	-	-	-	-	-	-	-	-	-	-	-	•	•
		1.4539/AISI 904L	-	-	-	-	-	-	-	-	-	-	-	-	-	-	-	-	-	-	-	-	-	•
45	Wear ring	CuSn10	•	•	•	•	•	•	•	•	•	•	•	•	•	•	•	•	•	•	•	•	•	
		CuZn34Mn3Al2Fe1-C	•	•	•	•	•	•	•	•	•	•	•	•	•	•	•	•	•	•	•	•	•	•
		EN-GJL-250	-	-	-	-	-	-	-	-	-	-	-	-	-	-	-	-	-	-	-	-	-	-
		1.4517/CD4MCuN	-	-	-	-	-	-	-	-	-	-	-	-	-	-	-	-	-	-	-	-	-	-
		Carbon-graphite filled PTFE (Graflon®)	-	-	-	-	-	-	-	-	-	-	-	-	-	-	-	-	-	-	-	-	-	-
45b	Wear ring	CuSn10	•	•	•	•	•	•	•	•	•	•	•	•	•	•	•	•	•	•	•	•	•	
		CuZn34Mn3Al2Fe1-C	•	•	•	•	•	•	•	•	•	•	•	•	•	•	•	•	•	•	•	•	•	•
		EN-GJL-250	-	-	-	-	-	-	-	-	-	-	-	-	-	-	-	-	-	-	-	-	-	-
		1.4517/CD4MCuN	-	-	-	-	-	-	-	-	-	-	-	-	-	-	-	-	-	-	-	-	-	-
		Carbon-graphite filled PTFE (Graflon®)	-	-	-	-	-	-	-	-	-	-	-	-	-	-	-	-	-	-	-	-	-	-
49	Impeller	EN-GJL-200	•	•	•	•	•	•	•	•	•	•	•	•	•	•	•	•	•	•	•	•	•	
		CuSn10	-	•	•	•	•	•	•	•	•	•	•	•	•	•	•	•	•	•	•	•	•	•
		1.4408/CF8M	-	-	-	-	-	-	-	-	-	-	-	-	-	-	-	-	-	-	-	-	-	-
		1.4517/CD4MCuN	-	-	-	-	-	-	-	-	-	-	-	-	-	-	-	-	-	-	-	-	-	-
51	2-part shaft	1.4301 + 1.0569/AISI 304 + carbon steel	•	•	•	•	•	•	•	•	•	•	•	•	•	•	•	•	•	•	•	•	•	
		1.4401 + 1.0569/AISI 316 + carbon steel	-	-	-	-	-	-	-	-	-	-	-	-	-	-	-	-	-	-	-	-	-	-
		1.4462 + 1.0569/ASTM J92205 + carbon steel	-	-	-	-	-	-	-	-	-	-	-	-	-	-	-	-	-	-	-	-	-	-
51a	Stub shaft	1.4301/AISI 304	•	•	•	•	•	•	•	•	•	•	•	•	•	•	•	•	•	•	•	•	•	
		1.4401/AISI 316	-	-	-	-	-	-	-	-	-	-	-	-	-	-	-	-	-	-	-	-	-	-
65	Wear ring retainer	1.4517/CD4MCuN	-	-	-	-	-	-	-	-	-	-	-	-	-	-	-	-	-	-	-	-	•	
65b	Wear ring retainer	1.4517/CD4MCuN	-	-	-	-	-	-	-	-	-	-	-	-	-	-	-	-	-	-	-	-	•	
66	Washer	1.4301/AISI 304	•	•	•	•	•	•	•	•	•	•	•	•	•	•	•	•	•	•	•	•	•	
		1.4401/AISI 316	-	-	-	-	-	-	-	-	-	-	-	-	-	-	-	-	-	-	-	-	-	-
		1.4539/AISI 904L	-	-	-	-	-	-	-	-	-	-	-	-	-	-	-	-	-	-	-	-	-	-
66a	Spring lock washer	1.4301/AISI 304	•	•	•	•	•	•	•	•	•	•	•	•	•	•	•	•	•	•	•	•	•	
		1.4401/AISI 316	-	-	-	-	-	-	-	-	-	-	-	-	-	-	-	-	-	-	-	-	-	-
		1.4539/AISI 904L	-	-	-	-	-	-	-	-	-	-	-	-	-	-	-	-	-	-	-	-	-	-
67	Impeller nut	1.4301/AISI 304	•	•	•	•	•	•	•	•	•	•	•	•	•	•	•	•	•	•	•	•	•	
		1.4401/AISI 316	-	-	-	-	-	-	-	-	-	-	-	-	-	-	-	-	-	-	-	-	-	-
		1.4539/AISI 904L	-	-	-	-	-	-	-	-	-	-	-	-	-	-	-	-	-	-	-	-	-	-
72a	O-ring	E / F / K / M / V / X	•	•	•	•	•	•	•	•	•	•	•	•	•	•	•	•	•	•	•	•	•	
77	Cover	EN-GJL-250	•	•	•	•	•	•	•	•	•	•	•	•	•	•	•	•	•	•	•	•	•	
		1.4408/CF8M	-	-	-	-	-	-	-	-	-	-	-	-	-	-	-	-	-	-	-	-	-	-
		1.4517/CD4MCuN	-	-	-	-	-	-	-	-	-	-	-	-	-	-	-	-	-	-	-	-	-	-
105	Shaft seal	Burgmann 1.4401/AISI 316	•	•	•	•	•	•	•	•	•	•	•	•	•	•	•	•	•	•	•	•	•	
		Burgmann 2.4610/Hastelloy C-4	-	-	-	-	-	-	-	-	-	-	-	-	-	-	-	-	-	-	-	-	-	-



TM05 1525 3211