

# Submersible pumps for your home



KPC Series: Designed mainly for automatically operated fixed applications in domestic use, draining basements and garages which are subject to flooding.

Its compact, easy-to-handle form makes it a portable pump for emergencies such as lifting water from tanks or rivers, emptying swimming pools, fountains, excavations and underpasses. Also ideal for gardening, fish pond and hobbies in general.

## Description

- > Pump body, impeller, pressure disc and suction grid in Composite Noryl GFN 2
- > Stainless steel screws and rotor shaft

## Performance range :

from 1 to 17m<sup>3</sup>/h, with head up to 10 metres

## Liquid quality requirements :

Gray water without fibres

## Minimum water depth :

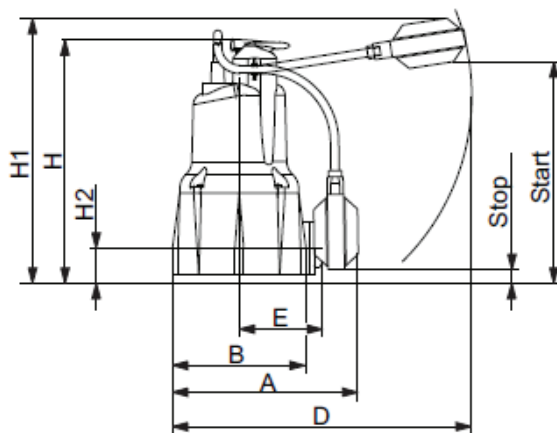
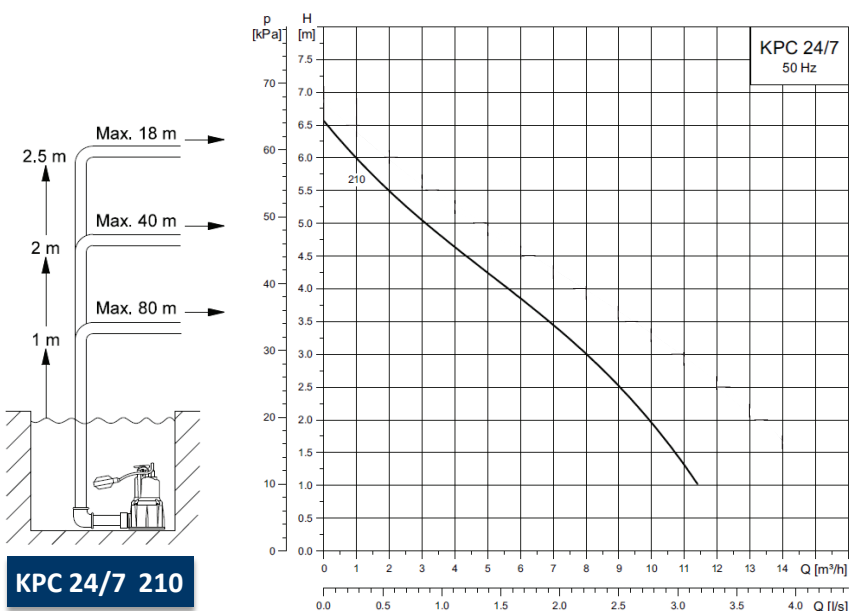
KPC 24/7 210	: 8mm
KPC 300A	: 85mm
KPC 600A	: 175mm

## Electrical Data

Type	Voltage (V)	P <sup>1</sup> (W)	P <sub>2</sub> (W)	I (A)	Insulation class
KPC 24/7 210	1 x 220V-50Hz	350	220	1,5	IP68
KPC 300A	1 x 220V-50Hz	350	220	1,5	IP68
KPC 600A	1 x 220V-50Hz	800	550	3,4	IP68

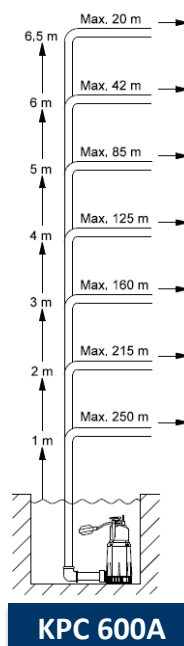
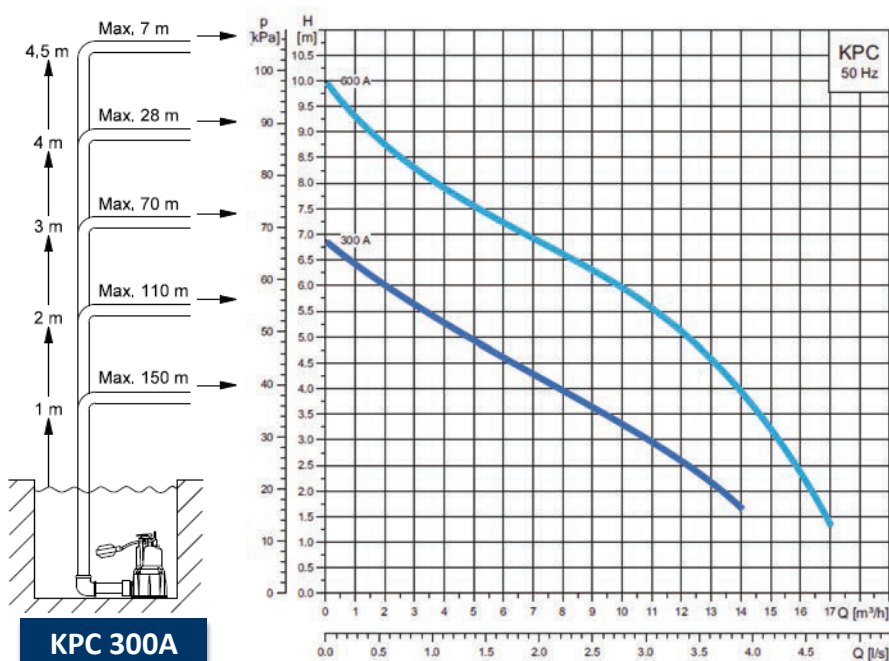
## Performance curves and range

### KPC 24/7 210



## Performance curves and range

### KPC 300A & KPC 600A



DIMENSION										
Type	A	B	D	E	H	H1	H2	Start	Stop	DNM
KPC 24/7 210	-	140	-	82	266	-	38,5	-	-	Rp 1
KPC 300A	185	140	225	82	275	390	47,5	350	100	Rp 1
KPC 600A	200	160	225	90	376	490	73	450	200	Rp 1¼

For more information contact us:

[www.grundfos.com/in](http://www.grundfos.com/in)

1800-102-2535

oneoffice.india@sales.grundfos.com