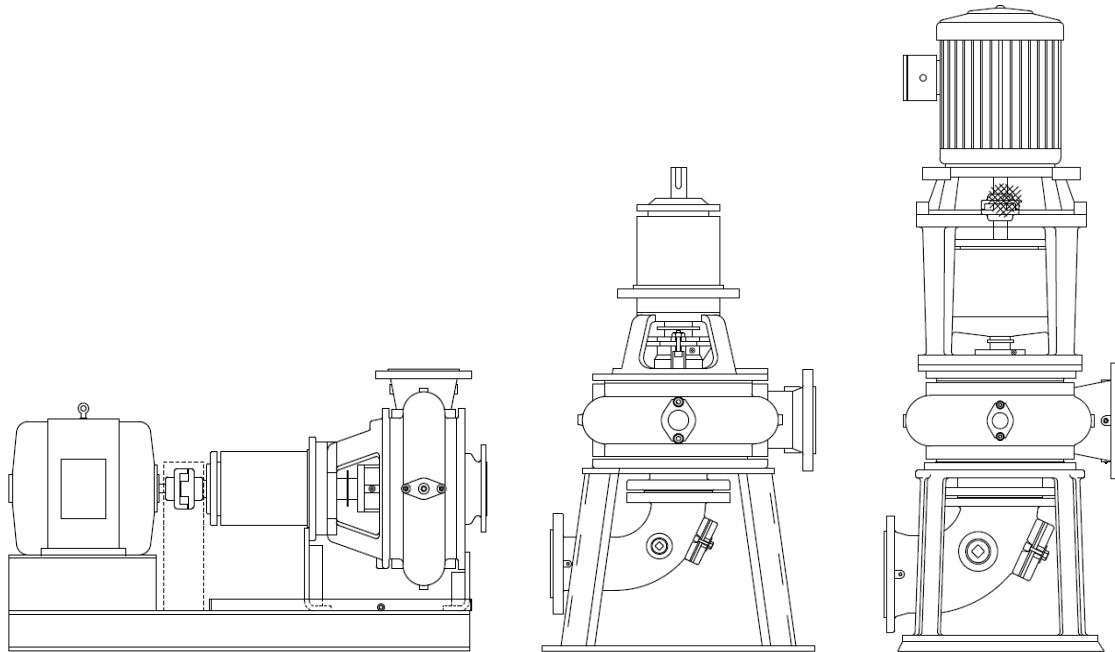


Grundfos Water Utility Inc.
3905 Enterprise Court
Aurora, IL 60504
us.grundfos.com



Grundfos Brands: Yeomans, Chicago & Morris Wastewater Products



PROPRIETARY INFORMATION
NOT TO BE REPRODUCED

Availability: Effective globally and subject to change without notice



If your project involves federal funding, we are here to support you!

Build America, Buy America (BABA) Act compliance can vary depending on configuration, materials, and origin of components. Please contact the factory to confirm BABA compliance for your specific application or to request compliant alternatives.

TABLE OF CONTENTS

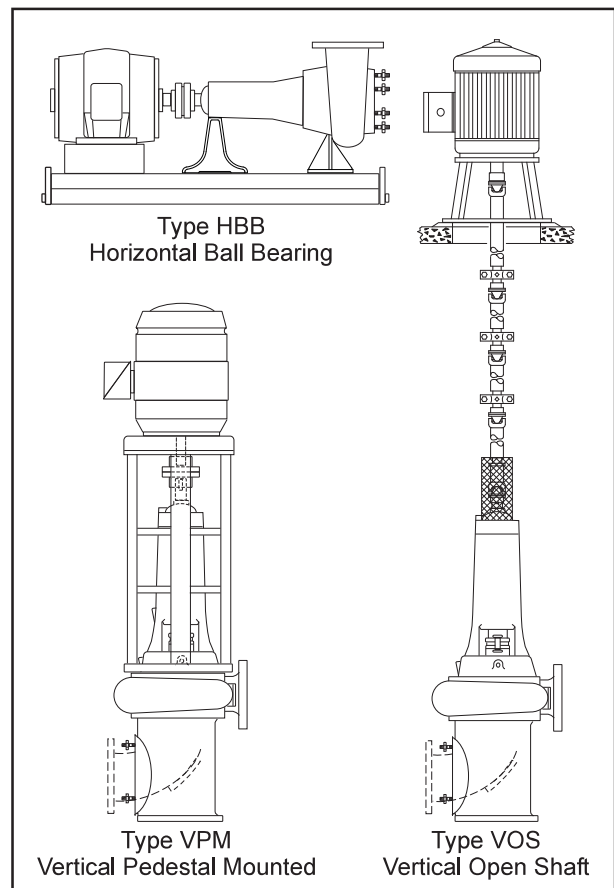
CHICAGO 2110 "CLASSIC" DRY-PIT SOLIDS HANDLING PUMPS	PAGES
Replacement Units Only	03
CHICAGO 2111 DRY-PIT SOLIDS HANDLING PUMPS	PAGES
Standard Construction Details and Pump Availability	04-05
Accessories and Options	06
CHICAGO 2151 SUSPENDED WET-PIT PUMPS	PAGES
Replacement Units Only	07
CHICAGO 2950 VORTEX DRY-PIT SOLIDS HANDLING PUMPS	PAGES
Replacement Units Only	08
YEOMANS 3000 SUSPENDED SCREENED WET-PIT PUMPS	PAGES
Standard Construction Details and Pump Availability	09-12
YEOMANS 4000 PNEUMATIC EJECTOR SYSTEMS ("SHONE")	PAGES
Replacement Units Only	13
YEOMANS 6000 DRY-PIT SOLIDS HANDLING PUMPS	PAGES
Standard Construction Details and Pump Availability	14-17
Accessories and Options	18-20
MORRIS 6100 HI-CHROME VORTEX CUP-TYPE RECESSED IMPELLER PUMPS	PAGES
Standard Construction Details and Pump Availability	21-22
Accessories and Options	23
MORRIS 7100 DRY-PIT SOLIDS HANDLING PUMPS	PAGES
Standard Construction Details and Pump Availability	24-26
Accessories and Options	27-30
YEOMANS 8000 SUSPENDED SOLIDS-HANDLING WET-PIT PUMPS	PAGES
Standard Construction Details and Pump Availability	31-35
TESTING	PAGES
Testing - Dry-Pit Solids Handling Pumps	36
Testing - Dry-Pit Solids Handling Pumps (Other Tests)	37
OBSOLETE MODELS	PAGES
Information	38

**SOLIDS-HANDLING WASTEWATER PUMPS****INTRODUCTION**

Chicago Pump "Classic Line" Series 2110 solids-handling centrifugal pumps have proven their superior qualities and gained wide acceptance in the wastewater field throughout the world.

Series 2110 units are well suited for a wide range of applications, for both intermittent and continuous duty, including digester sludge recirculation, return sludge, raw sewage and effluent at sewage treatment plants. They are also ideal for pumping industrial by-products, semi-solids and wastes. A large selection of suction and discharge positions are available to accommodate multiple installation possibilities.

Since 1909, Chicago Pump has established a reputation for incorporating heavy-duty designs with the use of high grade materials and components. All connection surfaces are tongue-and-grooved to assure permanent alignment of all components. The pump shaft is oversized to carry maximum loads and minimize deflection. Packing boxes are extra deep to accommodate oversized packing rings. Each packing box is provided with a brass lantern ring to insure efficient sealing equally around the entire pump shaft. Mechanical seals are available on most models. Pump castings, including casing, suction elbow, impeller, suction pedestal, handhole cover, pump bearing housing and bearing plate are made of close grained ASTM A-48 Class 30 cast iron. The pump shafts are Alloy steel and shaft sleeves are stainless steel.



All performance curves and information are based on a strict interpretation of the Hydraulic Institute Standards and great care has been used in illustrating each pumps performance curve from our historical data based upon actual factory tests.

Chicago Pump products are manufactured in the USA at state of-the-art facilities in Aurora, IL certified to the ISO 9001:2000 Quality System Standard. Parts and service are readily available through one of over 70 Representatives and Authorized Service Centers throughout the U.S. and abroad.



SOLIDS-HANDLING WASTEWATER PUMPS

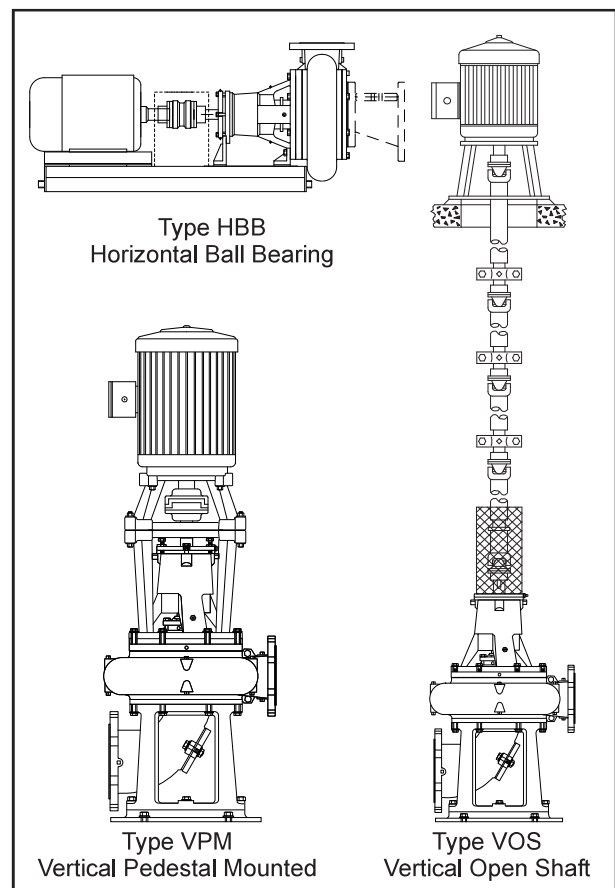
INTRODUCTION

Chicago Pump Series 2111 pumps represent the latest technology in solids-handling centrifugal pumping. Designed with the most advanced mechanical and hydraulic features, these pumps offer many advantages to assure long reliable service life and lowest operating cost. The compact design reduces spatial requirements and lowers construction costs.

Series 2111 units are expressly designed for pumping raw sewage, return sludge and industrial wastewater, incorporating high grade materials of construction. Pump wet ends can be sealed with standard hydraulic packing or optional double mechanical seal. Various standard options such as wear rings, bronze impellers and stainless steel shafts, as well as special options can be obtained to suit special pumping applications, particularly highly abrasive or corrosive flows.

All performance curves and information are based on a strict interpretation of the Hydraulic Institute Standards and great care has been used in illustrating each pumps performance curve from our historical data based upon actual factory tests.

Chicago Pump products are manufactured in the USA at state of-the-art facilities in Aurora, IL certified to the ISO 9001:2000 Quality System Standard. Parts and service are readily available through one of over 70 Representatives and Authorized Service Centers throughout the U.S. and abroad.



Chicago Series 2111 Dry Pit Solids Handling Pumps

VOS Pump Includes: Pump, motor pedestal and size-to-size suction elbow with handhole
 VPM Pump Includes: Pump, motor pedestal and size-to-size suction elbow with handhole. Coupling and guard included if motor is also purchased.
 HBB Pump with Base Includes: Pump, risers, coupling, coupling guard, and common base.
 HBB Pump Only Includes: Pump with mounting feet only. No base, coupling, etc.

Pump Frame	VPM (3)		VOS		HBB w/ Base		HBB Pump Only	
	Weight (lb)	Weight (lb)	Weight (lb)	Weight (lb)	Weight (lb)	Weight (lb)	Weight (lb)	
44081	AVAILABLE	470	AVAILABLE	385	AVAILABLE	385	AVAILABLE	260
64081	AVAILABLE	480	AVAILABLE	395	AVAILABLE	420	AVAILABLE	295
44101	AVAILABLE	485	AVAILABLE	400	AVAILABLE	400	AVAILABLE	275
64101	AVAILABLE	495	AVAILABLE	410	AVAILABLE	435	AVAILABLE	310
44121	AVAILABLE	600	AVAILABLE	515	AVAILABLE	490	AVAILABLE	365
64121	AVAILABLE	610	AVAILABLE	525	AVAILABLE	525	AVAILABLE	400
44122	AVAILABLE	710	AVAILABLE	600	AVAILABLE	575	AVAILABLE	450
64122	AVAILABLE	720	AVAILABLE	610	AVAILABLE	610	AVAILABLE	485
64131	AVAILABLE	665	AVAILABLE	580	AVAILABLE	555	AVAILABLE	430
64132	AVAILABLE	775	AVAILABLE	665	AVAILABLE	640	AVAILABLE	515

Pump Frame	Bearing Frame	VPM (3),(4)				VOS				HBB			
		Steel Pedestal		C.I. Pedestal		Steel Pedestal		C.I. Pedestal		With Base		Pump Only	
		Weight (lb)	Weight (lb)	Weight (lb)	Weight (lb)	Weight (lb)	Weight (lb)	Weight (lb)	Weight (lb)	Weight (lb)	Weight (lb)		
6415	4A	AVAILABLE	1175	NA	NA	AVAILABLE	1425	NA	NA	AVAILABLE	1375	AVAILABLE	925
8615	4A	AVAILABLE	1250	NA	NA	AVAILABLE	1500	NA	NA	AVAILABLE	1400	AVAILABLE	950
	4BHT	AVAILABLE	1275	NA	NA	AVAILABLE	1525	NA	NA	AVAILABLE	1425	AVAILABLE	975
LS8	4A	AVAILABLE	1600	AVAILABLE	1475	AVAILABLE	1900	AVAILABLE	1775	AVAILABLE	1750	AVAILABLE	1300
OS8	4A	AVAILABLE	1550	AVAILABLE	1450	AVAILABLE	1850	AVAILABLE	1750	AVAILABLE	1700	AVAILABLE	1250
OSC10	4A	AVAILABLE	1575	AVAILABLE	1475	AVAILABLE	1875	AVAILABLE	1775	AVAILABLE	1725	AVAILABLE	1275
10817	4A	AVAILABLE	1700	NA	NA	AVAILABLE	2000	NA	NA	AVAILABLE	1850	AVAILABLE	1400
	4B	AVAILABLE	1700	NA	NA	AVAILABLE	2000	NA	NA	AVAILABLE	1850	AVAILABLE	1400
10821	5	AVAILABLE	1950	NA	NA	AVAILABLE	2405	NA	NA	AVAILABLE	2000	AVAILABLE	1650
	6	AVAILABLE	2150	NA	NA	AVAILABLE	2605	NA	NA	AVAILABLE	2200	AVAILABLE	1850
101022	4B	AVAILABLE	2675	NA	NA	AVAILABLE	3130	NA	NA	AVAILABLE	2730	AVAILABLE	2030
	5	AVAILABLE	3125	NA	NA	AVAILABLE	3580	NA	NA	AVAILABLE	3180	AVAILABLE	2480
	6	AVAILABLE	3325	NA	NA	AVAILABLE	3780	NA	NA	AVAILABLE	3380	AVAILABLE	2680
121022	4B	AVAILABLE	2700	NA	NA	AVAILABLE	3150	NA	NA	AVAILABLE	2750	AVAILABLE	2050
	5	AVAILABLE	3150	NA	NA	AVAILABLE	3600	NA	NA	AVAILABLE	3200	AVAILABLE	2500
	6	AVAILABLE	3350	NA	NA	AVAILABLE	3800	NA	NA	AVAILABLE	3400	AVAILABLE	2700
121222	4B	AVAILABLE	2950	NA	NA	AVAILABLE	3650	NA	NA	AVAILABLE	3050	AVAILABLE	2350
	5	AVAILABLE	3400	NA	NA	AVAILABLE	4100	NA	NA	AVAILABLE	3500	AVAILABLE	2800
	6	AVAILABLE	3600	NA	NA	AVAILABLE	4300	NA	NA	AVAILABLE	3700	AVAILABLE	3000
141222	4B	AVAILABLE	3000	NA	NA	AVAILABLE	3700	NA	NA	AVAILABLE	3250	AVAILABLE	2550
	5	AVAILABLE	3450	NA	NA	AVAILABLE	4150	NA	NA	AVAILABLE	3700	AVAILABLE	3000
	6	AVAILABLE	3650	NA	NA	AVAILABLE	4350	NA	NA	AVAILABLE	3900	AVAILABLE	3200

Standard Variants					
Pump Frame	Stn Std. Wear Rings - 420SS 350 BHN Imp/450 BHN Suction	Mechanical Seal w/ Filter System	Stainless Steel Shaft AISI 416	Hardened Shaft Sleeve - (550 BHN)	Anti-Rotational Clutch (5)
44081	AVAILABLE	AVAILABLE	AVAILABLE	AVAILABLE	AVAILABLE
64081	AVAILABLE	AVAILABLE	AVAILABLE	AVAILABLE	AVAILABLE
44101	AVAILABLE	AVAILABLE	AVAILABLE	AVAILABLE	AVAILABLE
64101	AVAILABLE	AVAILABLE	AVAILABLE	AVAILABLE	AVAILABLE
44121	AVAILABLE	AVAILABLE	AVAILABLE	AVAILABLE	AVAILABLE
64121	AVAILABLE	AVAILABLE	AVAILABLE	AVAILABLE	AVAILABLE
44122	AVAILABLE	AVAILABLE	AVAILABLE	AVAILABLE	AVAILABLE
64122	AVAILABLE	AVAILABLE	AVAILABLE	AVAILABLE	AVAILABLE
64131	AVAILABLE	AVAILABLE	AVAILABLE	AVAILABLE	AVAILABLE
64132	AVAILABLE	AVAILABLE	AVAILABLE	AVAILABLE	AVAILABLE

NOTES:

- (1) Standard construction pump (ASTM A-48 Class 35 cast iron casing, packing housing, power frame, backplate and suction cover; w/ SAE 40 bronze gland. Pumps are fitted with AISI 4140 alloy steel shaft and 400 Series stainless steel sleeve. Packing is graphite impregnated braided acrylic with bronze lantern ring. Vertical pumps include cast iron motor support, pump support and suction elbow with handhole. Refer to installation drawings for gauge tap and other connections.
 - (2) NA = Not Available
 - (3) VPM motor pedestals are for constant speed applications for standard NEMA frame motors. Consult factory for variable speed or special motor requirements.
 - (4) VPM motor support weight limitations:
 4A,4B,4BHT - 405TSC Frame (Not to exceed 1200#)
 5 - 444TSC Frame Motor (Not to exceed 1400#) 6 - 445TSC Frame (Not to exceed 1600#)
 Consult factory for motor and/or driver weights in excess of those listed. Constant speed only.
 - (5) Anti-Rotation Clutch for bearing frame sizes 4A, 4B, & 4BHT
- Availability: Effective in North America only and subject to change without notice

Chicago Series 2111 Options

VOS, VPM, HBB - Standard Variants				
Pump Model	Bearing Frame	Stainless Steel Shaft (2)	Mechanical Seal (No Filter)	Stn Stl. Wear Rings - 420SS - 350BHN Imp/450 BHN Suction
6415	4A	AVAILABLE	AVAILABLE	AVAILABLE
8615	4A	AVAILABLE	AVAILABLE	AVAILABLE
	4BHT	RTF	AVAILABLE	AVAILABLE
LS8	4A	AVAILABLE	AVAILABLE	AVAILABLE
OS8	4A	AVAILABLE	AVAILABLE	RTF
OSC10	4A	AVAILABLE	AVAILABLE	RTF
10817	4A	AVAILABLE	AVAILABLE	AVAILABLE
	4B	AVAILABLE	AVAILABLE	AVAILABLE
	4BHT	AVAILABLE	AVAILABLE	AVAILABLE
10821	5	AVAILABLE	AVAILABLE	AVAILABLE
	6	RTF	RTF	AVAILABLE
101022	4B	AVAILABLE	AVAILABLE	AVAILABLE
	4BHT	AVAILABLE	AVAILABLE	AVAILABLE
	5	AVAILABLE	AVAILABLE	AVAILABLE
	6	RTF	RTF	AVAILABLE
121022	4B	AVAILABLE	AVAILABLE	AVAILABLE
	4BHT	AVAILABLE	AVAILABLE	AVAILABLE
	5	AVAILABLE	AVAILABLE	AVAILABLE
	6	RTF	RTF	AVAILABLE
121222	4B	AVAILABLE	AVAILABLE	AVAILABLE
	4BHT	AVAILABLE	AVAILABLE	AVAILABLE
	5	AVAILABLE	AVAILABLE	AVAILABLE
	6	RTF	RTF	AVAILABLE
141222	4B	AVAILABLE	AVAILABLE	AVAILABLE
	4BHT	AVAILABLE	AVAILABLE	AVAILABLE
	5	AVAILABLE	AVAILABLE	AVAILABLE
	6	RTF	RTF	AVAILABLE

NOTES:

(1) RTF = Refer To Factory

(2) Refer to factory for available materials for stainless steel shaft option.

Availability: Effective in North America only and subject to change without notice



REPLACEMENT ONLY

SECTION 2151

SEE SECTION 8000 FOR NEW BIDS

TYPE VCS

VERTICAL WET-PIT SOLIDS-HANDLING WASTEWATER PUMPS

INTRODUCTION

For nearly 100 years, the Chicago Pump name has been synonymous with high quality heavy-duty vertical solids-handling pumps for sewage, sump and storm water pumping. Type VCS pumps have a well deserved reputation for meeting the exacting demands required in the positive transfer of liquid wastes, including solids, from municipal, industrial, institutional and commercial buildings.

Vertical suspended wet-pit pumps are the preferred choice of many users desiring quick and easy inspection and servicing of the pump drive assembly. Vertical wet-pit pumps utilize standard commercial motors and couplings mounted above the sump pit. Standard commercial motors and couplings are easy to repair or replace, reducing parts, labor and downtime costs.

The Chicago Pump Type VCS pump provides several important features and benefits. Type VCS pumps are furnished with a separate one-piece motor mounting bracket designed to match the motor frame. Tongue and groove machine registered fits assure permanent, accurate alignment.

The grease lubricated radial thrust ball bearing is located in a cast iron housing and is equipped with micrometer adjustment features. The shaft/impeller assembly can be field adjusted to compensate for wear and to provide the most efficient impeller clearance.

The cast iron thrust bearing pedestal assembly securely positions the bearing well above the floor plate for protection from surface water, washdown water and dirt. A packed stuffing box provides sealing and prevents unsightly leakage at the floor

Temperature induced changes in the discharge column are compensated for by an expansion joint at the pump casing. Units with a standard 20" diameter floor plate are fitted with a second expansion joint at the floor plate.

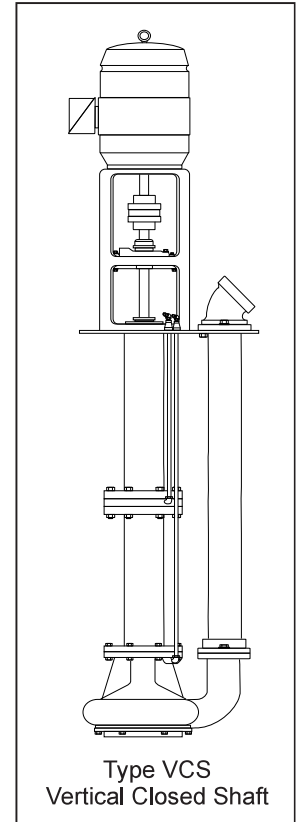
The hanger pipe flange is attached directly to the motor pedestal; not to the floor plate, with tongue and groove registers for positive alignment and quiet operation.

The radial bearings are oversized, heavy-duty bronze design, grease lubricated from the floor plate through Alemite grease fittings. The bearing mounting plates are accurately and securely positioned between two hanger pipe flanges, with tongue and groove registers to assure positive alignment of all pump sections. For special applications, cutless rubber is available for the casing bearing.

The impeller is dual-vane solids-handling type, dynamically balanced, securely keyed and locked to the shaft. A removable suction plate is provided for easy access to the pump casing for inspection or impeller removal. A tapered inlet opening reduces turbulence of the in-flowing liquid, improving pump and non-clogging efficiency.

The heavy-duty floor plate is designed to support the maximum weight of the pump and motor assemblies without distortion or misalignment.

For cost effective pumping and ease of user maintenance, Chicago Pump Type VCS pumps are the ideal choice.



**VORTEX SOLIDS-HANDLING WASTEWATER PUMPS****INTRODUCTION**

Sewage and waste process flows often contain solids of varying size and texture which may cause even "non-clog" pumps to clog or bind. The Chicago VTX Vortex Pump is a solution to this problem, which is common to both municipal and industrial applications. The inherent characteristics of the VTX Vortex Pump, with its multi-vaned recessed impeller, permits it to pump these materials without clogging.

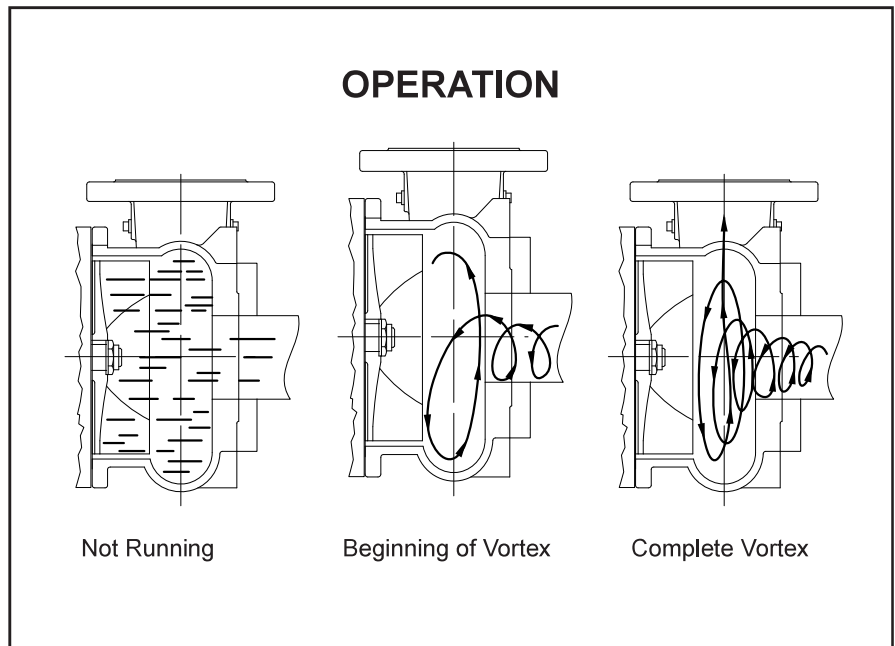
The multi-vaned impeller, which is recessed and completely removed from the volute area, sets the fluid into a whirling, or circular motion which extends into the suction opening. The resulting vortex action directs the incoming flow of both the fluid and entrained solids into the volute area where they are forced out by action of centrifugal

force. Since the impeller is completely recessed from the volute area, there is no restriction between the impeller and fluid to impede the mass of fluid in the volute and, as a result, the solids do not enter the impeller. The end result is a truly "non-clog" pump

Typical Applications:

- Raw Sewage
- Return & Waste Sludge
- Scum & Gritty Solids
- Slurries
- Mine Wastes
- Pulp Wastes
- Dairy Wastes
- Cannery Wastes
- Animal Processing Wastes

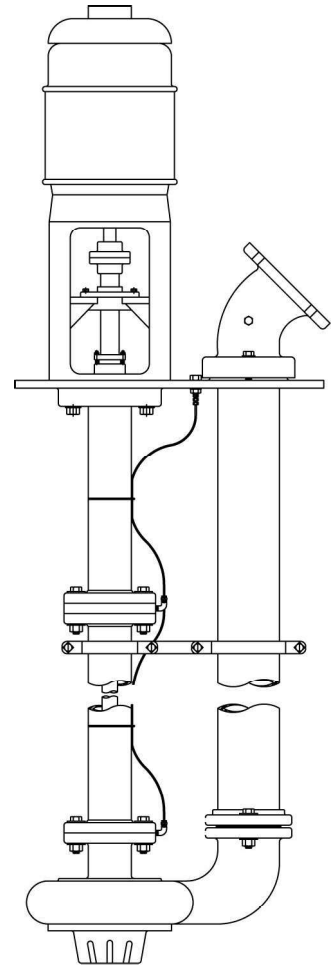
The Vortex pump is available in three basic frames providing a capacity range to 1200 GPM and discharge heads to 180 feet.

OPERATION

INTRODUCTION

Yeomans Pump developed the vertically suspended sump (bilge type) pump in the late 1890's as Yeomans Brothers Pump Company and has continually supplied standard as well as custom engineered industrial waste sump pumps for over 100 years. Demands for Yeomans sump or bilge pumps have been met with the common drainage sumps in basements; substructure dewatering; industrial and chemical sumps; and are the serious choice for any waste sump application. Our Application Engineering staff is experienced in the toughest of pumping challenges whether it be acidic, caustic, abrasive or high temperature. With tens of thousands of successful long standing installations throughout North America and numerous others worldwide, the Yeomans tradition of uncompromising quality in design and construction gives the user the assurance of value and equipment durability.

In this section, we have illustrated our wide hydraulic range (10 to 3000 GPM; Heads to 350 feet) and important construction features to insure long life in pump equipment operation. All mating surfaces are machined, registered, tongue and groove fits to guarantee positive alignment. The large suspension columns employ screwed on and machined true flanges with no weldments to crack or corrode. Thrust bearings are elevated to prevent the flow of washdown water into their location. Schedule 40 wrought steel suspension and discharge piping assures stiffness and rigidity in construction. The impeller is even designed to assist a bearing lubrication system that was developed by Yeomans (Lubrivac®) years ago and can be maintained throughout the life of the equipment with exclusive use of the impeller adjustment feature conveniently located just below the pump coupling in the above floor motor support.



At the front of each section, please find an easy index and reference guide to choosing the pump curve and model. From this guide, the product information, cross section, installation and dimension pages can be quickly identified. Application Engineering support information regarding equipment material selection can also be found helpful and is located in the back of this section.

Parts and service are readily available through over 100 Representatives and Authorized Service Centers throughout the U.S. and abroad. Yeomans Pump prides itself in prompt parts shipment and complete service. We provide regular factory training programs in Aurora, Illinois and other regional locations to assure all sales and service personnel have current and thorough knowledge of Yeomans products, parts and service.

Series 3000 Vertical Wet Pit Pumps

Basic Pump Includes:

Cast Iron Casing & Impeller ASTM A 48, Cl. 30	Thrust Bearing, Heavy Duty Ball, Grease Lube
Cast Iron Bearing Housing ASTM A 48, Cl. 30	Pump Bearing, Bronze Backed Babbitt Lined (BBBL)
Cast Iron Stuffing Box ASTM A 48, Cl. 30	Steel Discharge & Support Pipe, ASTM A120,
Stainless Steel Shaft AISI 316	Sched. 40
Gland, Cast Brass, ASTM B62 82a	Steel Suspension Plate, ASTM A36
Gland Hardware, 316 SS, Sil. Brz., Brass	Coupling, Flexible, Jaw Type
Packing, Graphite	Misc. Hardware, Steel, C1020, Gr. 2 min.
Cast Iron Motor Support ASTM A 48, Cl. 30	Neoprene Gaskets, ASTM IR
Cast Iron Suction Strainer ASTM A 48, Cl. 30	Pump Brg Grease Tubing, Nylon (Lubrication System L 1A)

Pit Depth		Model										
		B15085	N15085	N15115	N20068	N20085	N20115					
Feet	Meters	Weight (lb.)	Weight (lb.)	Weight (lb.)	Weight (lb.)	Weight (lb.)	Weight (lb.)					
5	1.5	AVAILABLE 387	AVAILABLE 360	AVAILABLE 500	AVAILABLE 335	AVAILABLE 365	AVAILABLE 510					
5.5	1.7	AVAILABLE 409	AVAILABLE 380	AVAILABLE 520	AVAILABLE 355	AVAILABLE 385	AVAILABLE 530					
6	1.8	AVAILABLE 430	AVAILABLE 400	AVAILABLE 540	AVAILABLE 375	AVAILABLE 405	AVAILABLE 550					
6.5	2.0	AVAILABLE 452	AVAILABLE 420	AVAILABLE 560	AVAILABLE 395	AVAILABLE 425	AVAILABLE 570					
7	2.1	AVAILABLE 473	AVAILABLE 440	AVAILABLE 580	AVAILABLE 415	AVAILABLE 445	AVAILABLE 590					
7.5	2.3	AVAILABLE 495	AVAILABLE 460	AVAILABLE 600	AVAILABLE 435	AVAILABLE 465	AVAILABLE 610					
8	2.4	AVAILABLE 516	AVAILABLE 480	AVAILABLE 620	AVAILABLE 455	AVAILABLE 485	AVAILABLE 630					
8.5	2.6	AVAILABLE 538	AVAILABLE 500	AVAILABLE 640	AVAILABLE 475	AVAILABLE 505	AVAILABLE 650					
9	2.7	AVAILABLE 559	AVAILABLE 520	AVAILABLE 660	AVAILABLE 495	AVAILABLE 525	AVAILABLE 670					
9.5	2.9	AVAILABLE 581	AVAILABLE 540	AVAILABLE 680	AVAILABLE 515	AVAILABLE 545	AVAILABLE 690					
10	3.0	AVAILABLE 602	AVAILABLE 560	AVAILABLE 700	AVAILABLE 535	AVAILABLE 565	AVAILABLE 710					
10.5	3.2	AVAILABLE 624	AVAILABLE 580	AVAILABLE 720	AVAILABLE 555	AVAILABLE 585	AVAILABLE 730					
11	3.4	AVAILABLE 645	AVAILABLE 600	AVAILABLE 740	AVAILABLE 575	AVAILABLE 605	AVAILABLE 750					
11.5	3.5	AVAILABLE 667	AVAILABLE 620	AVAILABLE 760	AVAILABLE 595	AVAILABLE 625	AVAILABLE 770					
12	3.7	AVAILABLE 688	AVAILABLE 640	AVAILABLE 780	AVAILABLE 615	AVAILABLE 645	AVAILABLE 790					
12.5	3.8	AVAILABLE 710	AVAILABLE 660	AVAILABLE 800	AVAILABLE 635	AVAILABLE 665	AVAILABLE 810					
13	4.0	AVAILABLE 731	AVAILABLE 680	AVAILABLE 820	AVAILABLE 655	AVAILABLE 685	AVAILABLE 830					
13.5	4.1	AVAILABLE 753	AVAILABLE 700	AVAILABLE 840	AVAILABLE 675	AVAILABLE 705	AVAILABLE 850					
14	4.3	AVAILABLE 774	AVAILABLE 720	AVAILABLE 860	AVAILABLE 695	AVAILABLE 725	AVAILABLE 870					
14.5	4.4	AVAILABLE 796	AVAILABLE 740	AVAILABLE 880	AVAILABLE 715	AVAILABLE 745	AVAILABLE 890					
15	4.6	AVAILABLE 817	AVAILABLE 760	AVAILABLE 900	AVAILABLE 735	AVAILABLE 765	AVAILABLE 910					

Pit Depth		Model										
		B15145	B20145	B30068	B30100	B40068	B40100					
Feet	Meters	Weight (lb.)	Weight (lb.)	Weight (lb.)	Weight (lb.)	Weight (lb.)	Weight (lb.)					
5	1.5	AVAILABLE 860	AVAILABLE 910	AVAILABLE 400	AVAILABLE 400	AVAILABLE 415	AVAILABLE 415					
5.5	1.7	AVAILABLE 880	AVAILABLE 930	AVAILABLE 430	AVAILABLE 430	AVAILABLE 445	AVAILABLE 445					
6	1.8	AVAILABLE 900	AVAILABLE 950	AVAILABLE 460	AVAILABLE 460	AVAILABLE 475	AVAILABLE 475					
6.5	2.0	AVAILABLE 920	AVAILABLE 970	AVAILABLE 490	AVAILABLE 490	AVAILABLE 505	AVAILABLE 505					
7	2.1	AVAILABLE 940	AVAILABLE 990	AVAILABLE 520	AVAILABLE 520	AVAILABLE 535	AVAILABLE 535					
7.5	2.3	AVAILABLE 960	AVAILABLE 1010	AVAILABLE 550	AVAILABLE 550	AVAILABLE 565	AVAILABLE 565					
8	2.4	AVAILABLE 980	AVAILABLE 1030	AVAILABLE 580	AVAILABLE 580	AVAILABLE 595	AVAILABLE 595					
8.5	2.6	AVAILABLE 1000	AVAILABLE 1050	AVAILABLE 610	AVAILABLE 610	AVAILABLE 625	AVAILABLE 625					
9	2.7	AVAILABLE 1020	AVAILABLE 1070	AVAILABLE 640	AVAILABLE 640	AVAILABLE 655	AVAILABLE 655					
9.5	2.9	AVAILABLE 1040	AVAILABLE 1090	AVAILABLE 670	AVAILABLE 670	AVAILABLE 685	AVAILABLE 685					
10	3.0	AVAILABLE 1060	AVAILABLE 1110	AVAILABLE 700	AVAILABLE 700	AVAILABLE 715	AVAILABLE 715					
10.5	3.2	AVAILABLE 1080	AVAILABLE 1130	AVAILABLE 730	AVAILABLE 730	AVAILABLE 745	AVAILABLE 745					
11	3.4	AVAILABLE 1100	AVAILABLE 1150	AVAILABLE 760	AVAILABLE 760	AVAILABLE 775	AVAILABLE 775					
11.5	3.5	AVAILABLE 1120	AVAILABLE 1170	AVAILABLE 790	AVAILABLE 790	AVAILABLE 805	AVAILABLE 805					
12	3.7	AVAILABLE 1140	AVAILABLE 1190	AVAILABLE 820	AVAILABLE 820	AVAILABLE 835	AVAILABLE 835					
12.5	3.8	AVAILABLE 1160	AVAILABLE 1210	AVAILABLE 850	AVAILABLE 850	AVAILABLE 865	AVAILABLE 865					
13	4.0	AVAILABLE 1180	AVAILABLE 1230	AVAILABLE 880	AVAILABLE 880	AVAILABLE 895	AVAILABLE 895					
13.5	4.1	AVAILABLE 1200	AVAILABLE 1250	AVAILABLE 910	AVAILABLE 910	AVAILABLE 925	AVAILABLE 925					
14	4.3	AVAILABLE 1220	AVAILABLE 1270	AVAILABLE 940	AVAILABLE 940	AVAILABLE 955	AVAILABLE 955					
14.5	4.4	AVAILABLE 1240	AVAILABLE 1290	AVAILABLE 970	AVAILABLE 970	AVAILABLE 985	AVAILABLE 985					
15	4.6	AVAILABLE 1260	AVAILABLE 1310	AVAILABLE 1000	AVAILABLE 1000	AVAILABLE 1015	AVAILABLE 1015					

- 1) Pump length will be sized appropriately for the specified pit depth based upon 6" increments only
- 2) For pit depths less than 5 ft. (1.5 m) the 5 ft. (1.5 m) price shall apply
- 3) Pump prices do not include motors, controls, main sump covers or any other accessories or options
- 3) Standard pumps are designed to handle normal 6 to 8 PH drainage water, non abrasive, 140 deg. F maximum.
- 4) For pumps with coupled line shaft please consult factory for pricing

Availability: Effective in North America only and subject to change without notice



Series 3000 Vertical Wet Pit Pumps

Pit Depth		Model											
		B40130		B50100		L60100		L80120		L80130		L80132	
Feet	Meters	Weight (lb.)		Weight (lb.)		Weight (lb.)		Weight (lb.)		Weight (lb.)		Weight (lb.)	
5	1.5	AVAILABLE	450	AVAILABLE	760	AVAILABLE	780	AVAILABLE	1266	AVAILABLE	1256	AVAILABLE	1266
5.5	1.7	AVAILABLE	470	AVAILABLE	795	AVAILABLE	815	AVAILABLE	1333	AVAILABLE	1323	AVAILABLE	1333
6	1.8	AVAILABLE	490	AVAILABLE	830	AVAILABLE	850	AVAILABLE	1400	AVAILABLE	1390	AVAILABLE	1400
6.5	2.0	AVAILABLE	510	AVAILABLE	865	AVAILABLE	885	AVAILABLE	1467	AVAILABLE	1457	AVAILABLE	1467
7	2.1	AVAILABLE	530	AVAILABLE	900	AVAILABLE	920	AVAILABLE	1534	AVAILABLE	1524	AVAILABLE	1534
7.5	2.3	AVAILABLE	550	AVAILABLE	935	AVAILABLE	955	AVAILABLE	1601	AVAILABLE	1591	AVAILABLE	1601
8	2.4	AVAILABLE	570	AVAILABLE	970	AVAILABLE	990	AVAILABLE	1668	AVAILABLE	1658	AVAILABLE	1668
8.5	2.6	AVAILABLE	590	AVAILABLE	1005	AVAILABLE	1025	AVAILABLE	1735	AVAILABLE	1725	AVAILABLE	1735
9	2.7	AVAILABLE	610	AVAILABLE	1040	AVAILABLE	1060	AVAILABLE	1802	AVAILABLE	1792	AVAILABLE	1802
9.5	2.9	AVAILABLE	630	AVAILABLE	1075	AVAILABLE	1095	AVAILABLE	1869	AVAILABLE	1859	AVAILABLE	1869
10	3.0	AVAILABLE	650	AVAILABLE	1110	AVAILABLE	1130	AVAILABLE	1936	AVAILABLE	1926	AVAILABLE	1936
10.5	3.2	AVAILABLE	670	AVAILABLE	1145	AVAILABLE	1165	AVAILABLE	2003	AVAILABLE	1993	AVAILABLE	2003
11	3.4	AVAILABLE	690	AVAILABLE	1180	AVAILABLE	1200	AVAILABLE	2070	AVAILABLE	2060	AVAILABLE	2070
11.5	3.5	AVAILABLE	710	AVAILABLE	1215	AVAILABLE	1235	AVAILABLE	2137	AVAILABLE	2127	AVAILABLE	2137
12	3.7	AVAILABLE	730	AVAILABLE	1250	AVAILABLE	1270	AVAILABLE	2204	AVAILABLE	2194	AVAILABLE	2204
12.5	3.8	AVAILABLE	750	AVAILABLE	1285	AVAILABLE	1305	AVAILABLE	2271	AVAILABLE	2261	AVAILABLE	2271
13	4.0	AVAILABLE	770	AVAILABLE	1320	AVAILABLE	1340	AVAILABLE	2338	AVAILABLE	2328	AVAILABLE	2338
13.5	4.1	AVAILABLE	790	AVAILABLE	1355	AVAILABLE	1375	AVAILABLE	2405	AVAILABLE	2395	AVAILABLE	2405
14	4.3	AVAILABLE	810	AVAILABLE	1390	AVAILABLE	1410	AVAILABLE	2472	AVAILABLE	2462	AVAILABLE	2472
14.5	4.4	AVAILABLE	830	AVAILABLE	1425	AVAILABLE	1445	AVAILABLE	2539	AVAILABLE	2529	AVAILABLE	2539
15	4.6	AVAILABLE	850	AVAILABLE	1460	AVAILABLE	1480	AVAILABLE	2606	AVAILABLE	2596	AVAILABLE	2606

- 1) Pump length will be sized appropriately for the specified pit depth based upon 6" increments only
 - 2) For pit depths less than 5 ft. (1.5 m) the 5 ft. (1.5 m) price shall apply
 - 3) Pump prices do not include motors, controls, main sump covers or any other accessories or options
 - 3) Standard pumps are designed to handle normal 6 to 8 PH drainage water, non abrasive, 140 deg. F maximum.
 - 4) For pumps with coupled line shaft please consult factory for pricing
- Availability: Effective in North America only and subject to change without notice

Series 3000 Vertical Wet Pit Pumps

Model	Pit Depth ("PD")	Sleeve Bearing Variants				High Head Application - TDH over 70 ft (21m)	
		Option "D"	Option "F"	Option "G"			
		Impregnated Teflon (PTFE)	Stainless Steel		Bronze Impeller		
			Backed Rubber Lined (SSBRL)	Modified Graphite ("Graphalloy")			
B15085	<= 9	AVAILABLE	AVAILABLE	AVAILABLE	AVAILABLE	AVAILABLE	
	>9	AVAILABLE	AVAILABLE	AVAILABLE	AVAILABLE		
N15085	<= 9	AVAILABLE	AVAILABLE	AVAILABLE	AVAILABLE		
	>9	AVAILABLE	AVAILABLE	AVAILABLE	AVAILABLE		
N15115	<= 9	AVAILABLE	AVAILABLE	AVAILABLE	AVAILABLE		
	>9	AVAILABLE	AVAILABLE	AVAILABLE	AVAILABLE		
N20068	<= 9	AVAILABLE	AVAILABLE	AVAILABLE	AVAILABLE		
	>9	AVAILABLE	AVAILABLE	AVAILABLE	AVAILABLE		
N20085	<= 9	AVAILABLE	AVAILABLE	AVAILABLE	AVAILABLE		
	>9	AVAILABLE	AVAILABLE	AVAILABLE	AVAILABLE		
N20115	<= 9	AVAILABLE	AVAILABLE	AVAILABLE	AVAILABLE		
	>9	AVAILABLE	AVAILABLE	AVAILABLE	AVAILABLE		
B15145	<= 9	AVAILABLE	AVAILABLE	AVAILABLE	AVAILABLE		AVAILABLE
	>9	AVAILABLE	AVAILABLE	AVAILABLE	AVAILABLE		
B20145	<= 9	AVAILABLE	AVAILABLE	AVAILABLE	AVAILABLE		
	>9	AVAILABLE	AVAILABLE	AVAILABLE	AVAILABLE		
B30068	<= 9	AVAILABLE	AVAILABLE	AVAILABLE	AVAILABLE		
	>9	AVAILABLE	AVAILABLE	AVAILABLE	AVAILABLE		
B30100	<= 9	AVAILABLE	AVAILABLE	AVAILABLE	AVAILABLE		
	>9	AVAILABLE	AVAILABLE	AVAILABLE	AVAILABLE		
B40068	<= 9	AVAILABLE	AVAILABLE	AVAILABLE	AVAILABLE		
	>9	AVAILABLE	AVAILABLE	AVAILABLE	AVAILABLE		
B40100	<= 9	AVAILABLE	AVAILABLE	AVAILABLE	AVAILABLE		
	>9	AVAILABLE	AVAILABLE	AVAILABLE	AVAILABLE		
B40130	<= 9	AVAILABLE	AVAILABLE	AVAILABLE	AVAILABLE		
	>9	AVAILABLE	AVAILABLE	AVAILABLE	AVAILABLE		
B50100	<= 9	AVAILABLE	AVAILABLE	AVAILABLE	AVAILABLE	AVAILABLE	
	>9	AVAILABLE	AVAILABLE	AVAILABLE	AVAILABLE		
L60100	<= 9	AVAILABLE	AVAILABLE	AVAILABLE	AVAILABLE	AVAILABLE	
	>9	AVAILABLE	AVAILABLE	AVAILABLE	AVAILABLE		
L80120	<= 9	AVAILABLE	AVAILABLE	AVAILABLE	AVAILABLE	AVAILABLE	
	>9	AVAILABLE	AVAILABLE	AVAILABLE	AVAILABLE		
L80130	<= 9	AVAILABLE	AVAILABLE	AVAILABLE	AVAILABLE		
	>9	AVAILABLE	AVAILABLE	AVAILABLE	AVAILABLE		
L80132	<= 9	AVAILABLE	AVAILABLE	AVAILABLE	AVAILABLE		
	>9	AVAILABLE	AVAILABLE	AVAILABLE	AVAILABLE		

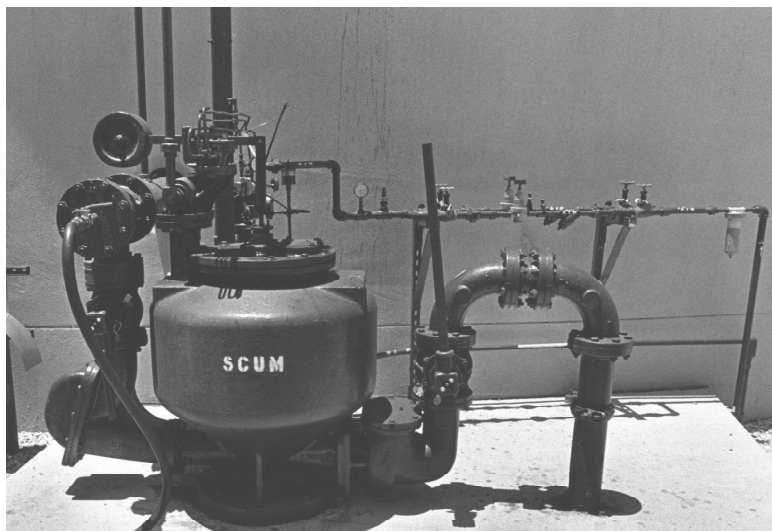
Availability: Effective in North America only and subject to change without notice



INTRODUCTION

For well over 100 years, the SHONE® pneumatic ejector system has developed a proven record of superior performance and reliability in the pumping of sewage, wastewater, scum and other difficult liquids. With a service life measured in decades, SHONE pneumatic ejectors are the preferred industry standard. Here are just a few of the many benefits they provide:

- Superior handling of large solids, scum, and sludge
- Comprehensive 25 year warranty
- Unmatched dependability; frequent check-ups and inspections are unnecessary
- No high speed moving parts to wear or replace; no springs, diaphragms or bearings to wear out
- Lowest overall cost
- Built to last a lifetime, and longer
- Simple and reliable all mechanical operation
- Hermetically sealed receiver pot; eliminates odors and noxious gases
- No electrical devices at or near the pumped media
- Variable volume pumping while preserving consistent discharge scouring velocities





SERIES 6000

DRY-PIT SOLIDS-HANDLING WASTEWATER PUMPS

INTRODUCTION YEOMANS SERIES 6000 DRY-PIT SOLIDS-HANDLING WASTEWATER PUMPS

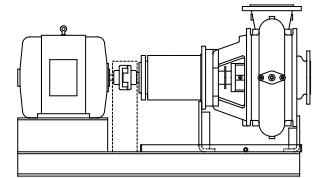
Yeomans Pump is recognized throughout the world as a major contributor to the quality engineered wastewater pump market. Contained in this section are performance curves, dimension sheets and standard technical support information for our current and most popular pump selections.

Started in 1898, Yeomans Pump has engineered pumps for handling all types of wastewater, including liquids containing raw sewage, trash, rags, sludge, silt and fibrous materials. Although described in this section with our standard ASTM A48, Class 30 Cast Iron construction, these pumps are also available in other materials for special applications such as ductile iron for high pressures, stainless steel for corrosive fluids and various hardenable irons and high-chrome irons for abrasive service. Alternate construction features are also available such as the addition of wear rings, mechanical seals and seal water flushing.

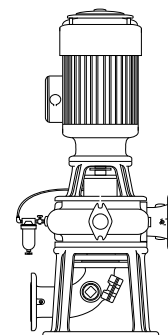
All performance curves and information are based on a strict interpretation of the Hydraulic Institute Standards and great care has been used in illustrating each pumps performance curve from our historical data based upon actual factory tests. Many other hydraulic selections are available from Yeomans to meet critical design needs.

The Yeomans Dry-Pit Solids-Handling Pumps are among the finest designs available in today's market. All bearing frames are designed to be rugged and give the user the longest standard bearing life available. Series 6150, 6250 and 6260 units have a minimum L10 bearing life of 40,000 hours at the limit line of the curve which translates to at least 100,000 hours life at most duty points chosen on the curve. These features also provide additional benefits in less shaft deflection at times of extreme operating conditions, significantly extended packing or seal life and less impeller wear at the impeller eye.

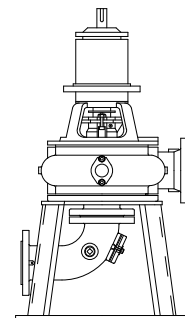
Parts and service are readily available through one of over 70 Representatives and Authorized Service Centers throughout the U.S. and abroad. Yeomans Pump prides itself in prompt parts shipment and complete service. We provide regular factory training programs in Aurora, Illinois and other regional locations to assure all sales and service personnel have current and thorough knowledge of the Yeomans products, parts and service.



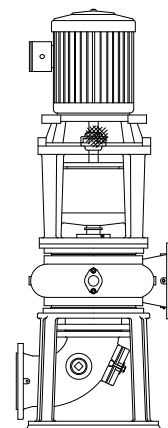
SERIES 6150
HORIZONTAL BASE MOUNTED



SERIES 6235
VERTICAL CLOSE COUPLED



SERIES 6250
VERTICAL OPEN SHAFT



SERIES 6260
VERTICAL PEDESTAL MOUNTED

Yeomans Series 6000 Dry Pit Solids Handling Pumps

BEARING FRAME SELECTION TABLE							
MODEL	IMPELLER DIAMETER	SPEED					
		1770	1180	880	705	585	495
4207/4307	ALL	1Y	1Y	--	--	--	--
4310/4310C	< 9"	1C	1C	1C	--	--	--
4310/4310C	≥ 9"	3C	1C	1C	--	--	--
4312/4312C	< 11"	3C	3C	3C	--	--	--
4312/4312C	≥ 11"	3D	3C	3C	--	--	--
4315LC	< 14"	4A	3D	3D	--	--	--
4315LC	≥ 14"	4BHT	3D	3D	--	--	--
4315SC	ALL	4A	3D	3D	--	--	--
4317	< 15"	4BHT	3D	3D	--	--	--
4317	≥ 15"	4BHT	4A	3D	--	--	--
6312	ALL	3D	3C	3C	--	--	--
6315	< 14"	4A	3D	3D	--	--	--
6315	≥ 14"	4BHT	3D	3D	--	--	--
6317LC/SC	ALL	4BHT	4A	3D	--	--	--
6415	< 13.75"	4A	--	--	--	--	--
6415	< 14"	--	3D	3D	--	--	--
8415	< 13.75"	4A	--	--	--	--	--
6415/8415	≥ 13.75"	4BHT	--	--	--	--	--
6415	≥ 14"	--	4A	3D	--	--	--
8415	< 14"	--	3D	3D	3D	--	--
8415	≥ 14"	--	4A	3D	3D	--	--
8417	ALL	--	4A	4A	3D	--	--
8515	ALL	--	4A	3D	3D	--	--
8518	< 16.5"	--	4A	4A	4A	4A	--
8518	≥ 16.5"	--	4B	4A	4A	4A	--
12422	< 20"	--	6	5	5	4B	--
12422	≥ 20"	--	6	6	4B	4B	--
10522	< 20"	--	5	4B	4B	4B	--
10522	≥ 20"	--	6	5	4B	4B	--
12515	ALL	--	4A	4A	4A	RTF	--
12622	ALL	--	6	5	4B	4B	--
12624	< 22"	--	--	5	4B	4B	--
12624	≥ 22"	--	--	6	5	4B	--
14518	ALL	--	4BHT	4B	4B	4B	--
14620	ALL	--	--	5	4B	4B	--
16622	ALL	--	--	6B	5B	5B	--
16624	ALL	--	--	--	6B	5B	5B
18530	< 24"	--	--	--	6B	6B	6B
18530	≥ 24"	--	--	--	6BHT	6B	6B
18622	ALL	--	--	--	5B	5B	RTF
20724	ALL	--	--	--	6B	6B	6B

Yeomans Series 6000 Dry Pit Solids Handling Pumps

Includes standard construction pump (ASTM A-48 Cl. 35 cast iron casing, impeller, suction cover, bearing frame, and packed stuffing box with cast iron gland and Teflon seal cage). Pumps are fitted with 420 SS, 450 BHN shaft sleeve, SS impeller key, impeller locknut (stainless thru #4 bearing frames, Bronze on #5 & 6 frames), pump support, and motor support (Series 6250 and 6260). Shafts are stress proof #1141 cold rolled steel for 3D and smaller frames, 4150HTSR CT on #4 and larger frames. Vertical pumps include cast iron suction elbow with hand hole. Gauge taps on suction and discharge are included. See Note (4) on next page for models 4317 and 6317LC/SC.

6150, 6250, 6260 BARE PUMPS						
Pump Model & Bearing Frame	Series 6150 (1)	Weight [lb]	Series 6250	Weight [lb]	Series 6260 (2)(3)	Weight [lb]
4207 1Y	AVAILABLE	265	AVAILABLE	340	AVAILABLE	540
4307 1Y	AVAILABLE	265	AVAILABLE	360	AVAILABLE	560
4310 1C	AVAILABLE	390	AVAILABLE	470	AVAILABLE	720
4310 3C	AVAILABLE	430	AVAILABLE	480	AVAILABLE	730
4310C 1C	AVAILABLE	390	AVAILABLE	475	AVAILABLE	720
4310C 3C	AVAILABLE	430	AVAILABLE	485	AVAILABLE	735
4310SC 1C	AVAILABLE	390	AVAILABLE	475	AVAILABLE	720
4312 3C	AVAILABLE	585	AVAILABLE	690	AVAILABLE	940
4312 3D	AVAILABLE	585	AVAILABLE	695	AVAILABLE	945
4312C 3C	AVAILABLE	585	AVAILABLE	690	AVAILABLE	940
4312C 3D	AVAILABLE	585	AVAILABLE	695	AVAILABLE	945
4315LC 3D	AVAILABLE	800	AVAILABLE	1000	AVAILABLE	1380
4315LC 4A	AVAILABLE	800	AVAILABLE	1020	AVAILABLE	1400
4315LC 4BHT	AVAILABLE	800	AVAILABLE	1020	AVAILABLE	1400
4315SC 3D	AVAILABLE	800	AVAILABLE	1000	AVAILABLE	1380
4315SC 4A	AVAILABLE	800	AVAILABLE	1020	AVAILABLE	1400
4317 3D (4)	AVAILABLE	940	AVAILABLE	1150	AVAILABLE	1530
4317 4A (4)	AVAILABLE	940	AVAILABLE	1170	AVAILABLE	1550
4317 4BHT (4)	AVAILABLE	940	AVAILABLE	1175	AVAILABLE	1555
6312 3C	AVAILABLE	705	AVAILABLE	850	AVAILABLE	1130
6312 3D	AVAILABLE	705	AVAILABLE	870	AVAILABLE	1130
6315 3D	AVAILABLE	865	AVAILABLE	1130	AVAILABLE	1430
6315 4A	AVAILABLE	865	AVAILABLE	1150	AVAILABLE	1430
6315 4BHT	AVAILABLE	865	AVAILABLE	1160	AVAILABLE	1430
6415 3D	AVAILABLE	1020	AVAILABLE	1130	AVAILABLE	1430
6415 4A	AVAILABLE	1020	AVAILABLE	1150	AVAILABLE	1430
6415 4BHT	AVAILABLE	1020	AVAILABLE	1155	AVAILABLE	1430
6317LC 3D (4)	AVAILABLE	1010	AVAILABLE	1300	AVAILABLE	1650
6317LC 4A (4)	AVAILABLE	1010	AVAILABLE	1320	AVAILABLE	1650
6317LC 4BHT (4)	AVAILABLE	1010	AVAILABLE	1325	AVAILABLE	1650
6317SC 3D (4)	AVAILABLE	1010	AVAILABLE	1300	AVAILABLE	1650
6317SC 4A (4)	AVAILABLE	1010	AVAILABLE	1320	AVAILABLE	1650
6317SC 4BHT (4)	AVAILABLE	1010	AVAILABLE	1325	AVAILABLE	1650

See referenced numbered notes at the bottom of the next page

Availability: Effective in North America only and subject to change without notice

Series 6000 Dry Pit Solids Handling Pumps



6150, 6250, 6260 BARE PUMPS						
Pump Model & Bearing Frame	Series 6150 (1)	Weight [lb]	Series 6250	Weight [lb]	Series 6260 (2)(3)	Weight [lb]
8415 3D	AVAILABLE	1045	AVAILABLE	1400	AVAILABLE	1800
8415 4A	AVAILABLE	1045	AVAILABLE	1420	AVAILABLE	1820
8415 4BHT	AVAILABLE	1065	AVAILABLE	1420	AVAILABLE	1820
8515 3D	AVAILABLE	1045	AVAILABLE	1400	AVAILABLE	1800
8515 4A	AVAILABLE	1065	AVAILABLE	1420	AVAILABLE	1820
8417 3D	AVAILABLE	1130	AVAILABLE	1500	AVAILABLE	2000
8417 4A	AVAILABLE	1150	AVAILABLE	1520	AVAILABLE	2020
8518 4A	AVAILABLE	1150	AVAILABLE	1500	AVAILABLE	2000
8518 4B	AVAILABLE	1150	AVAILABLE	1520	AVAILABLE	2020
8518 4BHT	AVAILABLE	1210	AVAILABLE	1580	AVAILABLE	2080
10522 4B	AVAILABLE	3000	AVAILABLE	3500	AVAILABLE	4100
10522 5	AVAILABLE	3060	AVAILABLE	3560	AVAILABLE	4160
10522 6	AVAILABLE	3090	AVAILABLE	3990	AVAILABLE	4590
12515 4A	AVAILABLE	1350	AVAILABLE	1350	AVAILABLE	1950
12422/12622 4B	AVAILABLE	3400	AVAILABLE	4500	AVAILABLE	5110
12422/12622 5	AVAILABLE	3460	AVAILABLE	4570	AVAILABLE	5110
12422/12622 6	AVAILABLE	3490	AVAILABLE	4600	AVAILABLE	5140
12624 4B	RTF	RTF	RTF	RTF	RTF	RTF
12624 5	RTF	RTF	RTF	RTF	RTF	RTF
12624 6	RTF	RTF	RTF	RTF	RTF	RTF
14518 4B	AVAILABLE	AVAILABLE	AVAILABLE	AVAILABLE	AVAILABLE	AVAILABLE
14518 4BHT	AVAILABLE	AVAILABLE	AVAILABLE	AVAILABLE	AVAILABLE	AVAILABLE
14620 4B	AVAILABLE	AVAILABLE	AVAILABLE	AVAILABLE	AVAILABLE	AVAILABLE
14620 5	AVAILABLE	AVAILABLE	AVAILABLE	AVAILABLE	AVAILABLE	AVAILABLE
16622 5B	RTF	RTF	RTF	RTF	RTF	RTF
16622 6B	RTF	RTF	RTF	RTF	RTF	RTF
16624 5B	RTF	RTF	RTF	RTF	RTF	RTF
16624 6B	RTF	RTF	RTF	RTF	RTF	RTF
18530 6B	RTF	RTF	RTF	RTF	RTF	RTF
18530 6BHT	RTF	RTF	RTF	RTF	RTF	RTF
18622 5	RTF	RTF	RTF	RTF	RTF	RTF
18622 5B	RTF	RTF	RTF	RTF	RTF	RTF
20724 6B	RTF	RTF	RTF	RTF	RTF	RTF

(1) **Series 6260 motor support weight limitations:** 3C - 286TC Frame Motor (Not to exceed 400#)
 3D - 326TSC Frame Motor (Not to exceed 600#) 4A,4B,4BHT - 405TSC Frame (Not to exceed 1200#)
 5,5B - 444TSC Frame Motor (Not to exceed 1400#) 6,6B,6BHT - 445TSC Frame (Not to exceed 1600#)

(2) Consult factory for motor and/or driver weights in excess of those listed. Constant speed only.

(3) RTF for VFD Applications

(4) Models 4317, 6317LC and 6317SC include ductile iron volute, suction cover, back plate and impeller to meet high pressure requirements. Cast iron construction is not available for these models.

Availability: Effective in North America only and subject to change without notice

Yeomans Series 6000 Options

FRAME ACCESSORIES 6150, 6250 & 6260			
BEARING FRAME	STAINLESS STEEL SHAFT	MECHANICAL SEAL (1)	DEAD END SEAL BOX (2)
1Y	AVAILABLE	AVAILABLE	AVAILABLE
1C	AVAILABLE	AVAILABLE	AVAILABLE
3C	AVAILABLE	AVAILABLE	AVAILABLE
3D	AVAILABLE	AVAILABLE	AVAILABLE
4A	AVAILABLE	AVAILABLE	RTF
4B	AVAILABLE	AVAILABLE	RTF
4BHT	AVAILABLE	AVAILABLE	RTF
5	AVAILABLE	AVAILABLE	RTF
5B	AVAILABLE	AVAILABLE	RTF
6	AVAILABLE	AVAILABLE	RTF
6B	AVAILABLE	RTF	RTF
6BHT	AVAILABLE	RTF	RTF

Note: For further details of seal water requirements and seal details refer to the Engineering Catalog, Yeomans Pumps & Pumping Systems.

(1) Type 21 Style seal with carbon vs. ceramic faces. Refer to factory for all other types of seals.

(2) Includes FILTER, AIR COCK, PLASTIC TUBING, PIPE NIPPLE, REDUCING BUSHING.

Shipped loose to prevent freight handling damage.

6150 BASE AND COUPLINGS					
MOTOR FRAME		PLAIN STEEL BASE, COUPLING, & GUARD (2)	WEIGHT [lb]	DRIP RIM STEEL BASE, COUPLING, & GUARD (2)	WEIGHT [lb]
NEMA "T" (1)	IEC				
145	90	AVAILABLE	133	AVAILABLE	151
182 ~ 184	100/112	AVAILABLE	133	AVAILABLE	151
213 ~ 215	132	AVAILABLE	136	AVAILABLE	154
254 ~ 256	160	AVAILABLE	136	AVAILABLE	154
284 ~ 286	180	AVAILABLE	146	AVAILABLE	231
324 ~ 326	200	AVAILABLE	218	AVAILABLE	271
364 ~ 365	225	AVAILABLE	400	AVAILABLE	481
404 ~ 405	250	AVAILABLE	464	AVAILABLE	502
444 ~ 445	280	AVAILABLE	474	AVAILABLE	572
447	315	AVAILABLE	630	AVAILABLE	660

(1) Selections for NEMA 284 frame and larger motors are "TS" shaft extension for direct coupled service. Use next larger frame size price for "T" frame motor selections.

(2) Coupling and guard design are Grundfos standard selections. Refer to factory for special applications (spacer couplings, specific coupling types, etc.)

Availability: Effective in North America only and subject to change without notice

Yeomans Series 6000 Accessories

ANCHOR BOLTS	
ANCHOR BOLTS, STAINLESS WITH PLASTIC GROUTING SLEEVE	AVAILABLE
ANCHOR BOLTS, STEEL WITH PLASTIC GROUTING SLEEVE	AVAILABLE
GAUGES AND GAUGE SETS	
GAUGE, COMPOUND, 30" HG TO 30# 4.5" DIAL (2)	AVAILABLE
GAUGE, PRESSURE, 0 TO 15# 4.5" DIAL (2)	AVAILABLE
GAUGE, PRESSURE, 0 TO 30# 4.5" DIAL (2)	AVAILABLE
GAUGE, PRESSURE, 0 TO 60# 4.5" DIAL (2)	AVAILABLE
GAUGE, PRESSURE, 0 TO 100# 4.5" DIAL (2)	AVAILABLE
GAUGE, PRESSURE, 0 TO 160# 4.5" DIAL (2)	AVAILABLE
DIAPHRAGM SEAL, 316SS WITHOUT BOTTOM FLUSHING (1)	AVAILABLE
ECONOMY GAUGE SET - 2.5" DIALS (3)	AVAILABLE
ECONOMY GAUGE SET - 4" DIALS (3)	AVAILABLE
GREASE CUPS	
GREASE CUP, ALEMITE SPRING TYPE (STUFFING BOX LUBRICATOR)	AVAILABLE
SPARE MECHANICAL SEALS	
SPARE MECHANICAL SEAL, T-21, CARBON / CERAMIC, BF # 1Y	AVAILABLE
SPARE MECHANICAL SEAL, T-21, CARBON / CERAMIC, BF # 1C or 3C	AVAILABLE
SPARE MECHANICAL SEAL, T-21, CARBON / CERAMIC, BF # 3D	AVAILABLE
SPARE MECHANICAL SEAL, T-21, CARBON / CERAMIC, BF # 4, 4B or 4BHT	AVAILABLE
SPARE MECHANICAL SEAL, T-21, CARBON / NI-RESIST, BF # 5 or 5B	AVAILABLE
SPARE MECHANICAL SEAL, T-21, CARBON / NI-RESIST, BF # 6	AVAILABLE

NOTES:

- (1) Factory choice of manufacturer, includes gauge mounting. (1/2" process side connection, 1/4" gauge connection) Add price of required range gauge.
- (2) Factory choice of manufacturer, meets "process gauge" specification for phenolic case and phosphor bronze Bourdon tube, 1/4" NPT stem mounted.
- (3) Economy gauge sets include compound suction gauge, discharge pressure gauge, diaphragm seals and isolation valves.

Availability: Effective in North America only and subject to change without notice

Yeomans Series 6000 Options

MODEL	3% NICKEL CASING, SUCTION COVER & IMPELLER	CASING WEAR RING 420 SS 450 BHN	BRONZE IMPELLER	IMPELLER WEAR RING 420 SS. 450 BHN	SUCTION NOZZLE INCREASER W/HANDHOLE SERIES 6150	SUCTION ELBOW INCREASER SERIES 6250 & 6260	FLAT FACE FLANGES MEETS ANSI B16.1
4207	AVAILABLE	AVAILABLE	AVAILABLE	AVAILABLE	AVAILABLE	AVAILABLE	AVAILABLE
4307	AVAILABLE	AVAILABLE	AVAILABLE	AVAILABLE	AVAILABLE	AVAILABLE	AVAILABLE
4310	AVAILABLE	AVAILABLE	AVAILABLE	AVAILABLE	AVAILABLE	AVAILABLE	AVAILABLE
4310C	AVAILABLE	AVAILABLE	AVAILABLE	AVAILABLE	AVAILABLE	AVAILABLE	AVAILABLE
4310SC	AVAILABLE	AVAILABLE	AVAILABLE	AVAILABLE	AVAILABLE	AVAILABLE	AVAILABLE
4312	AVAILABLE	AVAILABLE	AVAILABLE	AVAILABLE	AVAILABLE	AVAILABLE	AVAILABLE
4312C	AVAILABLE	AVAILABLE	AVAILABLE	AVAILABLE	AVAILABLE	AVAILABLE	AVAILABLE
4315LC	AVAILABLE	AVAILABLE	AVAILABLE	AVAILABLE	AVAILABLE	AVAILABLE	AVAILABLE
4315SC	AVAILABLE	AVAILABLE	AVAILABLE	AVAILABLE	AVAILABLE	AVAILABLE	AVAILABLE
4317	AVAILABLE	AVAILABLE	AVAILABLE	AVAILABLE	AVAILABLE	AVAILABLE	AVAILABLE
6312	AVAILABLE	AVAILABLE	AVAILABLE	AVAILABLE	AVAILABLE	AVAILABLE	AVAILABLE
6315	AVAILABLE	AVAILABLE	AVAILABLE	AVAILABLE	AVAILABLE	AVAILABLE	AVAILABLE
6317LC	AVAILABLE	AVAILABLE	AVAILABLE	AVAILABLE	AVAILABLE	AVAILABLE	AVAILABLE
6317SC	AVAILABLE	AVAILABLE	AVAILABLE	AVAILABLE	AVAILABLE	AVAILABLE	AVAILABLE
6415	AVAILABLE	AVAILABLE	AVAILABLE	AVAILABLE	AVAILABLE	AVAILABLE	AVAILABLE
8415	AVAILABLE	AVAILABLE	AVAILABLE	AVAILABLE	AVAILABLE	AVAILABLE	AVAILABLE
8417	AVAILABLE	AVAILABLE	AVAILABLE	AVAILABLE	AVAILABLE	AVAILABLE	AVAILABLE
8515	AVAILABLE	AVAILABLE	AVAILABLE	AVAILABLE	AVAILABLE	AVAILABLE	AVAILABLE
8518	AVAILABLE	AVAILABLE	AVAILABLE	AVAILABLE	AVAILABLE	AVAILABLE	AVAILABLE
10522	AVAILABLE	AVAILABLE	AVAILABLE	AVAILABLE	AVAILABLE	AVAILABLE	AVAILABLE
12515	AVAILABLE	AVAILABLE	AVAILABLE	AVAILABLE	AVAILABLE	AVAILABLE	AVAILABLE
12422	AVAILABLE	AVAILABLE	AVAILABLE	AVAILABLE	AVAILABLE	AVAILABLE	AVAILABLE
12422	AVAILABLE	AVAILABLE	AVAILABLE	AVAILABLE	AVAILABLE	AVAILABLE	AVAILABLE
12622	AVAILABLE	AVAILABLE	AVAILABLE	AVAILABLE	AVAILABLE	AVAILABLE	AVAILABLE
12624	RTF	RTF	RTF	RTF	RTF	RTF	RTF
14518	AVAILABLE	AVAILABLE	AVAILABLE	AVAILABLE	AVAILABLE	AVAILABLE	AVAILABLE
14620	AVAILABLE	AVAILABLE	AVAILABLE	AVAILABLE	AVAILABLE	AVAILABLE	AVAILABLE
16622	RTF	RTF	RTF	RTF	RTF	RTF	RTF
16624	RTF	RTF	RTF	RTF	RTF	RTF	RTF
18530	RTF	RTF	RTF	RTF	RTF	RTF	RTF
18622	RTF	RTF	RTF	RTF	RTF	RTF	RTF
20724	RTF	RTF	RTF	RTF	RTF	RTF	RTF

(1) N/A = Not available for this pump

(2) RTF = Refer To Factory

Availability: Effective in North America only and subject to change without notice



CUP-TYPE RECESSED IMPELLER PUMPS

INTRODUCTION

The Morris 6100 series was specifically designed to provide a severe-duty, abrasion resistant, solids-handling pump with the longest possible life. This goal has been accomplished by optimizing the hydraulic and mechanical features, and by selecting the best construction materials. Morris Series 6100 pumps are ideal for a wide range of municipal and industrial applications requiring large solids handling and high resistance to abrasion.

Performance Overview:

- Capacities to 4600 USGPM (1045 m³/h)
- Heads to 150 feet (45m)
- Temperatures to 250° F (120° C)
- Pressures to 100 PSIG (690 kPa)
- Solids to 8 inches (200mm)

Applications / Services:

Municipal

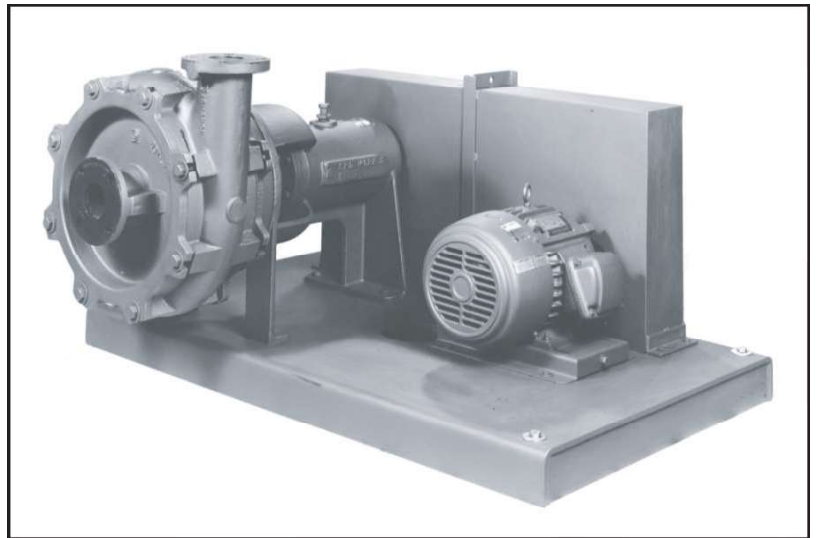
- Grit
- Primary Sludge
- Sludge Transfer
- Sludge Recirculation

Industrial

- Abrasive Wastes
- Large Solids
- Mining
- Dredging
- Pulp & Paper
- Industrial Processes
- Food Process Wastes

Key Design Features:

- Fully Recessed Impeller - Allows passage of any solid that can enter the pump.
- Cup-Type Impeller Design - Provides maximum wear life efficiencies of all wet end components
- Universal Stuffing Box - Accommodates packing or a variety of mechanical seals
- Hard Metal Construction - Wet end components are constructed of 650 BHN high chrome iron
- Suction Cover & Rear Liner -Extra heavy replaceable wear surfaces extend pump life
- Reversible Casing & Bidirectional Impeller - Allows rotation in either direction for layout flexibility; provides maximum parts interchangeability
- Better Efficiency - Higher efficiencies than other recessed impeller pumps; Power saving alone can often pay for the pumps!



PLEASE REFER TO THE SALES BULLETIN FOR MORE DETAILED INFORMATION

Morris Series 6100

SEVERE-DUTY CUP-TYPE RECESSED IMPELLER PUMPS

BARE PUMP		
PUMP MODEL		WEIGHT, lb
CT 2x2•13 HC1	AVAILABLE	440
CT 2x3•13 HC1	AVAILABLE	440
CT 3x3•16 HC2	AVAILABLE	770
CT 3x4•16 HC2	AVAILABLE	770
CT 4x4•18 HC2	AVAILABLE	890
CT 6x6•22 HC3	AVAILABLE	1670
CT 8x8•25 HC3	AVAILABLE	2130

V-BELT DRIVE BASE AND GUARD					
PUMP MODEL	OVERHEAD BASE (1)		SIDE BY SIDE BASE		A drip rim base variant is also available. Please contact factory.
		WEIGHT, lb		WEIGHT, lb	
CT2x2•13HC1	AVAILABLE	250	AVAILABLE	255	
CT2x3•13HC1	AVAILABLE	250	AVAILABLE	255	
CT3x3•16HC2	AVAILABLE	335	AVAILABLE	315	
CT3x4•16HC2	AVAILABLE	335	AVAILABLE	315	
CT4x4•18HC2	AVAILABLE	335	AVAILABLE	375	
CT6x6•22HC3	AVAILABLE	460	AVAILABLE	470	
CT8x8•25HC3	AVAILABLE	460	AVAILABLE	545	

(1) Maximum motor size: Standard Belt Guard included
 Pump Disch. 2 in. 3 & 4 in. 6 & 8 in.
 Motor Frame 256T 326T 405T
 Overall Length 25.75 in. 30.88 in. 40.00 in.

V-BELT DRIVE - STATIONARY CONTROL						
PUMP SIZE	PUMP SPEED RANGE					WEIGHT (lb.)
2 in. discharge	750 1000 RPM	1001 1250 RPM	1251 1500 RPM	1501 1750 RPM	1751 2010 RPM	58
	AVAILABLE	AVAILABLE	AVAILABLE	AVAILABLE	AVAILABLE	
3 in. discharge	650 850 RPM	851 1050 RPM	1051 1250 RPM	1251 1450 RPM	1451 1710 RPM	165
	AVAILABLE	AVAILABLE	AVAILABLE	AVAILABLE	AVAILABLE	
4 in. discharge	600 775 RPM	776 950 RPM	951 1125 RPM	1126 1300 RPM	1301 1445 RPM	249
	AVAILABLE	AVAILABLE	AVAILABLE	AVAILABLE	AVAILABLE	
6 in. discharge	450 600 RPM	601 750 RPM	751 900 RPM	901 1050 RPM	1051 1140 RPM	484
	AVAILABLE	AVAILABLE	AVAILABLE	AVAILABLE	AVAILABLE	
8 in. discharge	400 525 RPM	526 650 RPM	651 775 RPM	776 900 RPM	901 1030 RPM	636
	AVAILABLE	AVAILABLE	AVAILABLE	AVAILABLE	RTF	

(2) Pump speed range refers to maximum design point RPM not adjustable V belt operating range.
 (3) Changing speed requires shutdown and adjustment of sheave pitch diameter.
 (4) Price includes belts, sheaves, bushings, and adjustable motor base.

Prices: Effective in North America only and subject to change without notice



Morris Series 6100
SEVERE-DUTY CUP-TYPE RECESSED IMPELLER PUMPS

V-BELT DRIVE - MOTION CONTROL						
PUMP SIZE	PUMP SPEED RANGE					WEIGHT (lb.)
2 in. discharge	750 1000 RPM	1001 1250 RPM	1251 1500 RPM	1501 1750 RPM	1751 2010 RPM	83
	RTF	RTF	RTF	RTF	RTF	
3 in. discharge	650 850 RPM	851 1050 RPM	1051 1250 RPM	1251 1450 RPM	1451 1710 RPM	265
	RTF	RTF	RTF	RTF	RTF	
4 in. discharge	600 775 RPM	776 950 RPM	951 1125 RPM	1126 1300 RPM	1301 1445 RPM	329
	RTF	RTF	RTF	RTF	RTF	
6 in. discharge	450 600 RPM	601 750 RPM	751 900 RPM	901 1050 RPM	1051 1140 RPM	549
	RTF	RTF	RTF	RTF	RTF	
8 in. discharge	400 525 RPM	526 650 RPM	651 775 RPM	776 900 RPM	901 1030 RPM	681
	RTF	RTF	RTF	RTF	RTF	

- (1) Pump speed range refers to maximum design point RPM not adjustable V belt operating range.
 - (2) Speed can be changed during pump operation.
 - (3) Includes belts, sheaves, bushings, and adjustable motor base with handwheel.
- Not Suitable for Overhead Base, Refer to factory for Overhead Base adjustable speed drive.**

MECHANICAL SEALS					
Seal Type	Materials		Bearing Frame / Size		
	Code	Type	A1 / 1.75"	A2 / 2.50"	A3 / 3.25"
AW Chesterton 442 Single Split Seal or factory choice equal	1ECW	CER vs CBN	AVAILABLE	AVAILABLE	AVAILABLE
	1RCW	SC vs CBN	AVAILABLE	AVAILABLE	AVAILABLE
	1RRW	SC vs SC	AVAILABLE	AVAILABLE	AVAILABLE
ADDER for Throat Bushing			AVAILABLE	AVAILABLE	AVAILABLE
ADDER for SpiralTrac, Type DI, 416SS			AVAILABLE	AVAILABLE	AVAILABLE

MISCELLANEOUS ADDERS	
Item	Price
BHN Coupons, ea.	AVAILABLE
Impeller Removal Tool	AVAILABLE

Availability: Effective in North America only and subject to change without notice

**HEAVY DUTY WASTEWATER PUMPS****INTRODUCTION**

Morris Series 7100 Heavy Duty Wastewater Pumps are the preferred choice of discerning users, consultants and pump system designers throughout the wastewater industry. Morris Series 7100 pumps are custom engineered to provide superior performance while delivering a cost effectiveness and operating life second to none. With high efficiency, wide operating ranges, low maintenance and extended service life, Morris pumps set the standard by which others are compared.

Performance Overview:

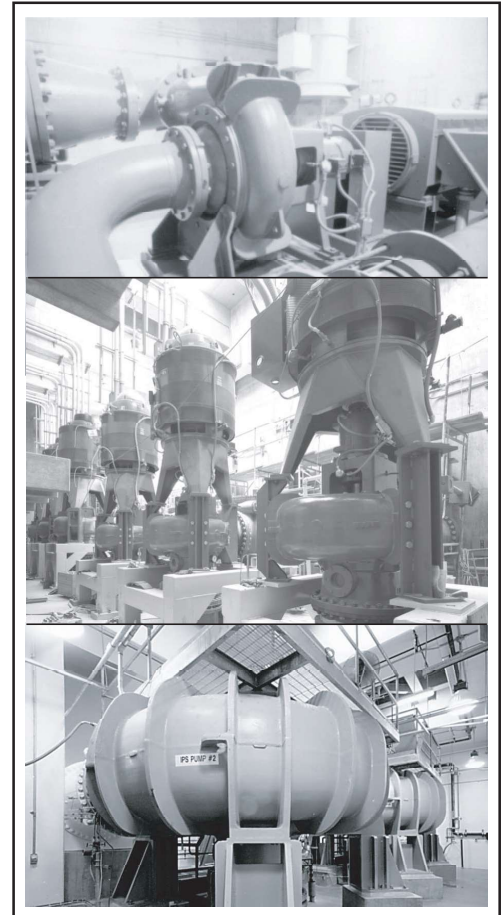
- Capacities to 140,000 USGPM (32,000 m³/h)
- Heads to 260 feet (79m)
- Custom "high head" systems available
- Temperatures to 250° F (120° C)
- Pressures to 110 PSIG (758 kPa)
- Solids to 9-3/4 inches (388mm)

Applications / Services:

- Raw Sewage
- Secondary Sludge
- Industrial Wastewater
- Storm Water
- Process Water
- Circulation Water
- Light Slurries
- River Water
- Dry Dock Drainage
- Industrial Wash Water

Key Design Features:

- Multiple impeller types available for a wide range of hydraulic requirements
- A wide variety of materials are available; pumps are "job matched" to meet the specific project application requirements
- Rugged bearing frames; bearings engineered for a minimum L10 life of 100,000 hours
- Adjustment features to optimize impeller clearance and maintain operating efficiencies
- One piece casing design for smooth hydraulic flow and maximum solids passing; extra thick castings provide extended protection against abrasion and corrosion
- Back pull-out design permits removal of impeller and bearing frame without disturbing piping.
- Large stuffing boxes with split-gland design; accommodate packing or a wide variety of mechanical seal options
- Rugged alloy steel shafts protected by hardened stainless steel sleeves; "hook type" sleeve design effectively seals the shaft from the pumped liquid; stainless steel shafts optional
- Renewable, hardened stainless steel wear rings protect the impeller and suction cover
- Large inspection ports are standard; smooth internally contoured covers retain pump efficiency



PLEASE REFER TO THE SALES BULLETIN FOR MORE DETAILED INFORMATION

Morris Series 7100

Standard construction bare pump - ASTM A48 Cl. 35 cast iron casing, impeller, suction cover, stuffing box cover, and impeller nut; ASTM A48 Cl. 35 bearing frame; 420 SS wear rings, 350 BHN, 420SS suction wear ring, 450 BHN, 420 SS shaft sleeve; bronze-40 packing gland; 4150HTSR CT steel shaft; Teflon lantern ring; graphite/polymer packing. Mounting feet are included for horizontal and vertical pumps.

MORRIS 7100 BARE PUMPS - NC, MF, EC					
Pump Model	Bearing Frame	HBB		VPM/VOS	
			Weight [lb]		Weight [lb]
NC 4x4•8	1	AVAILABLE	260	AVAILABLE	470
NC 4x6•8	1	AVAILABLE	295	AVAILABLE	475
NC 4x4•10	1	AVAILABLE	275	AVAILABLE	490
NC 4x6•10	1	AVAILABLE	310	AVAILABLE	495
NC 4x4•12	D	AVAILABLE	450	AVAILABLE	690
NC 4x6•12	D	AVAILABLE	485	AVAILABLE	695
NC 6x6•12	D	AVAILABLE	705	AVAILABLE	850
NC 6x8•12	D	AVAILABLE	745	AVAILABLE	870
NC 4x6•15	A	AVAILABLE	925	AVAILABLE	1150
NC 6x6•15	D1	AVAILABLE	900	AVAILABLE	900
NC 6x8•17	D2	AVAILABLE	1300	AVAILABLE	1300
NC 8x8•17	D2	AVAILABLE	1500	AVAILABLE	1500
NC 10x10•21	D2	AVAILABLE	2100	AVAILABLE	2100
	D3	AVAILABLE	2100	AVAILABLE	2100
NC 10x12•24	D3	AVAILABLE	2900	AVAILABLE	2900
NC 12x12•25	D3	AVAILABLE	3200	AVAILABLE	3200
NC 12x14•25	D3	AVAILABLE	3200	AVAILABLE	3200
NC 16x16•33	D4	AVAILABLE	5700	AVAILABLE	5700
	D5	AVAILABLE	5700	AVAILABLE	5700
NC 16x20•33	D4	AVAILABLE	5700	AVAILABLE	5700
	D5	AVAILABLE	5700	AVAILABLE	5700
NC 20x20•41	D5	AVAILABLE	10500	AVAILABLE	10500
NC 24x24•50	D5	AVAILABLE	16000	AVAILABLE	16000
	D6	AVAILABLE	17000	AVAILABLE	17000
NC 24x30•50	D5	AVAILABLE	16000	AVAILABLE	16000
	D6	AVAILABLE	17000	AVAILABLE	17000
NC 30x30•62	D6	RTF	28000	RTF	28000
MF 12x12•17	D1	AVAILABLE	1500	AVAILABLE	1450
MF 16x16•14	D1	AVAILABLE	2390	AVAILABLE	2300
MF 18x18•17	D1	AVAILABLE	3250	AVAILABLE	3160

Availability: Effective in North America only and subject to change without notice

Morris Series 7100

MORRIS 7100 BARE PUMPS - NC, MF, EC					
Pump Model	Bearing Frame	HBB		VPM/VOS	
			Weight [lb]		Weight [lb]
MF 18x20•17	D1	AVAILABLE	3290	AVAILABLE	3200
MF 18x18•19	D1	AVAILABLE	3250	AVAILABLE	3160
MF 18x20•19	D1	AVAILABLE	3290	AVAILABLE	3200
MF 20x24•21	D2	AVAILABLE	5900	AVAILABLE	5800
MF 24x24•21	D2	AVAILABLE	6100	AVAILABLE	6000
MF 20x24•24	D2	AVAILABLE	5900	AVAILABLE	5800
MF 24x24•24	D2	AVAILABLE	6100	AVAILABLE	6000
MF 24x24•29	D3	RTF	7250	RTF	7000
MF 30x30•27	D3	RTF	10250	RTF	10000
MF 30x36•27	D3	RTF	10250	RTF	10000
MF 30x36•32	D4	RTF	15250	RTF	15000
	D5	RTF	16250	RTF	16000
MF 36x36•32	D4	RTF	15250	RTF	15000
	D5	RTF	16250	RTF	1600
MF 36x36•37	D5	RTF	21300	RTF	21000
MF 36x42•37	D5	RTF	21300	RTF	21000
MF 42x42•37	D5	RTF	21300	RTF	21000
MF 48x48•43	D4	RTF	25800	RTF	25500
	D5	RTF	26300	RTF	26000
	D6	RTF	26300	RTF	26000
MF 54x54•69	D6	RTF	69200	RTF	68800
EC 12x14•19	D2	AVAILABLE	2245	AVAILABLE	2285
EC 16x18•25	D3	AVAILABLE	4170	AVAILABLE	4330
EC 20x24•32	D3	RTF	6920	RTF	7320
	D4	RTF	7075	RTF	7475
EC 24x30•38	D4	RTF	11120	RTF	11560
	D5	RTF	11270	RTF	11710
EC 30x36•48	D5	RTF	20395	RTF	21940
	D6	RTF	20625	RTF	22175
EC 36x48•57	D6	RTF	32000	RTF	33500

(1) HBB - Horizontal VPM - Vertical Pedestal Mounted VOS - Vertical Open Shaft

(2) Grease lubrication is standard for D1 through D5. Refer to factory for oil lubrication. D6 is oil lubricated only.

Availability: Effective in North America only and subject to change without notice

Accessories / Options: Morris Series 7100

VPM/VOS ACCESSORIES							
Pump Model	Bearing Frame	VOS/VPM Pedestal (1)		VPM Motor Support (1)		VOS Motor Support	
			Weight [lb]		Weight [lb]		Weight [lb]
NC 4x4•8	1	Included	-	AVAILABLE	85	Included	-
NC 4x6•8	1	Included	-	AVAILABLE	85	Included	-
NC 4x4•10	1	Included	-	AVAILABLE	85	Included	-
NC 4x6•10	1	Included	-	AVAILABLE	85	Included	-
NC 4x4•12	D	Included	-	AVAILABLE	140	Included	-
NC 4x6•12	D	Included	-	AVAILABLE	140	Included	-
NC 6x6•12	D	Included	-	AVAILABLE	160	Included	-
NC 6x8•12	D	Included	-	AVAILABLE	160	Included	-
NC 4x6•15	A	Included	-	AVAILABLE	250	Included	-
NC 6x6•15	D1	AVAILABLE	350	AVAILABLE	375	AVAILABLE	175
NC 6x8•17	D2	AVAILABLE	700	AVAILABLE	470	AVAILABLE	230
NC 8x8•17	D2	AVAILABLE	700	AVAILABLE	470	AVAILABLE	230
NC 10x10•21	D2	AVAILABLE	1050	AVAILABLE	570	AVAILABLE	275
	D3	AVAILABLE	1050	AVAILABLE	570	AVAILABLE	275
NC 10x12•24	D3	AVAILABLE	1250	AVAILABLE	940	AVAILABLE	460
NC 12x12•25	D3	AVAILABLE	1250	AVAILABLE	940	AVAILABLE	460
NC 12x14•25	D3	AVAILABLE	1250	AVAILABLE	940	AVAILABLE	460
NC 16x16•33	D4	RTF	-	RTF	1310	RTF	650
	D5	RTF	-	RTF	-	RTF	-
NC 16x20•33	D4	RTF	-	RTF	-	RTF	-
	D5	RTF	-	RTF	-	RTF	-
NC 20x20•41	D5	RTF	-	RTF	-	RTF	-
NC 24x24•50	D5	RTF	-	RTF	-	RTF	-
	D6	RTF	-	RTF	-	RTF	-
NC 30x30•62	D6	RTF	-	RTF	-	RTF	-
MF 12x12•17	D1	AVAILABLE	700	AVAILABLE	350	AVAILABLE	150
MF 16x16•14	D1	AVAILABLE	1050	AVAILABLE	375	AVAILABLE	175
MF 18x18•17	D1	AVAILABLE	1150	AVAILABLE	470	AVAILABLE	230
MF 18x20•17	D1	AVAILABLE	1150	AVAILABLE	470	AVAILABLE	230
MF 18x18•19	D1	AVAILABLE	1150	AVAILABLE	570	AVAILABLE	275
MF 18x20•19	D1	AVAILABLE	1150	AVAILABLE	570	AVAILABLE	275
MF 20x24•21	D2	AVAILABLE	1300	AVAILABLE	940	AVAILABLE	460
MF 24x24•21	D2	AVAILABLE	1300	AVAILABLE	940	AVAILABLE	460
MF 20x24•24	D2	AVAILABLE	1300	AVAILABLE	940	AVAILABLE	460
MF 24x24•24	D2	AVAILABLE	1300	AVAILABLE	940	AVAILABLE	460
MF 24x24•29	D3	RTF	-	RTF	-	RTF	-
MF 30x30•27	D3	RTF	-	RTF	-	RTF	-
MF 30x36•27	D3	RTF	-	RTF	-	RTF	-

(1) Includes non-spacer coupling and guard for VPM orientation. For a specific coupling type please refer to factory.

Availability: Effective in North America only and subject to change without notice

Accessories / Options: Morris Series 7100

VPM/VOS ACCESSORIES							
Pump Size	Bearing Frame	VOS/VPM Pedestal (1)		VPM Motor Support (1)		VOS Motor Support	
			Weight [lb]		Weight [lb]		Weight [lb]
MF 30x36•32	D4	RTF	-	RTF	-	RTF	-
	D5	RTF	-	RTF	-	RTF	-
MF 36x36•32	D4	RTF	-	RTF	-	RTF	-
	D5	RTF	-	RTF	-	RTF	-
MF 36x36•37	D5	RTF	-	RTF	-	RTF	-
MF 36x42•37	D5	RTF	-	RTF	-	RTF	-
MF 42x42•37	D5	RTF	-	RTF	-	RTF	-
MF 48x48•43	D4	RTF	-	RTF	-	RTF	-
	D5	RTF	-	RTF	-	RTF	-
	D6	RTF	-	RTF	-	RTF	-
MF 54x54•69	D6	RTF	-	RTF	-	RTF	-
EC 12x14•19	D2	AVAILABLE	175	AVAILABLE	375	AVAILABLE	175
EC 16x18•25	D3	AVAILABLE	230	AVAILABLE	470	AVAILABLE	230
EC 20x24•32	D3	RTF	-	RTF	470	RTF	230
	D4	RTF	-	RTF	570	RTF	275
EC 24x30•38	D4	RTF	-	RTF	570	RTF	275
	D5	RTF	-	RTF	940	RTF	460
EC 30x36•48	D5	RTF	-	RTF	940	RTF	460
	D6	RTF	-	RTF	1310	RTF	650
EC 36x48•57	D6	RTF	-	RTF	-	RTF	-

(1) Includes non-spacer coupling and guard for VPM orientation. For a specific coupling type please refer to factory.

Availability: Effective in North America only and subject to change without notice

Accessories and Options: Morris Series 7100

HBB ACCESSORIES			
Pump Model	Bearing Frame	HBB Direct Drive Base (1)	
			Weight [lb]
NC 4x4•8	1	AVAILABLE	125
NC 4x6•8	1	AVAILABLE	125
NC 4x4•10	1	AVAILABLE	125
NC 4x6•10	1	AVAILABLE	125
NC 4x4•12	D	AVAILABLE	220
NC 4x6•12	D	AVAILABLE	220
NC 6x6•12	D	AVAILABLE	430
NC 6x8•12	D	AVAILABLE	430
NC 4x6•15	A	AVAILABLE	450
NC 6x6•15	D1	AVAILABLE	750
NC 6x8•17	D2	AVAILABLE	1000
NC 8x8•17	D2	AVAILABLE	1000
NC 10x10•21	D2	AVAILABLE	1200
	D3	AVAILABLE	1200
NC 10x12•24	D3	AVAILABLE	2100
NC 12x12•25	D3	AVAILABLE	2100
NC 12x14•25	D3	AVAILABLE	2100
NC 16x16•33	D4	RTF	-
	D5	RTF	-
NC 16x20•33	D4	RTF	-
	D5	RTF	-
NC 20x20•41	D5	RTF	-
NC 24x24•50	D5	RTF	-
	D6	RTF	-
MF 12x12•17	D1	AVAILABLE	700
MF 16x16•14	D1	AVAILABLE	900
MF 18x18•17	D1	AVAILABLE	1100
MF 18x20•17	D1	AVAILABLE	1100
MF 18x18•19	D1	AVAILABLE	1100
MF 18x20•19	D1	AVAILABLE	1100
MF 20x24•21	D2	AVAILABLE	1200
MF 24x24•21	D2	AVAILABLE	1200
MF 20x24•24	D2	AVAILABLE	1200
MF 24x24•24	D2	AVAILABLE	1400
MF 24x24•29	D3	RTF	1400
MF 30x30•27	D3	RTF	1875
MF 30x36•27	D3	RTF	1875

HBB ACCESSORIES			
Pump Size	Bearing Frame	HBB Direct Drive Base (1)	
			Weight [lb]
MF 30x36•32	D4	RTF	1875
	D5	RTF	2300
MF 36x36•32	D4	RTF	2300
	D5	RTF	3100
MF 36x36•37	D5	RTF	3100
MF 36x42•37	D5	RTF	3100
MF 42x42•37	D5	RTF	3100
MF 48x48•43	D4	RTF	2300
	D5	RTF	3100
	D6	RTF	-
MF 54x54•69	D6	RTF	-
EC 12x14•19	D2	AVAILABLE	750
EC 16x18•25	D3	AVAILABLE	1000
EC 20x24•32	D3	RTF	1000
	D4	RTF	1200
EC 24x30•38	D4	RTF	1200
	D5	RTF	2100
EC 30x36•48	D5	RTF	2100
	D6	RTF	2700
EC 36x48•57	D6	RTF	-

(1) Base is drip-rim type fabricated steel base including non-spacer coupling and guard. For a specific coupling type please refer to factory.

Availability: Effective in North America only and subject to change without notice

Accessories / Options: Morris Series 7100

CAST IRON SUCTION ELBOWS WITH HANDHOLES & COVERS				
Inlet Diameter [in]	Outlet Diameter [in]	hole Size		Weight [lb]
6	6	5	AVAILABLE	80
8	6	5	AVAILABLE	90
10	6	6	AVAILABLE	170
12	6	6	AVAILABLE	250
8	8	7	AVAILABLE	120
10	8	8	AVAILABLE	195
12	8	8	AVAILABLE	240
10	10	8	AVAILABLE	230
12	10	10	AVAILABLE	300
16	10	10	AVAILABLE	480
12	12	8	AVAILABLE	350
14	12	10	AVAILABLE	425
16	12	10	AVAILABLE	530
20	12	10	AVAILABLE	755
24	14	12	AVAILABLE	1115
16	16	12	AVAILABLE	670
18	16	10	AVAILABLE	775
20	16	10	AVAILABLE	915
24	16	12	AVAILABLE	1245
18	18	8	AVAILABLE	940
20	18	10	AVAILABLE	1020
20	20	10	AVAILABLE	1080
24	20	12	AVAILABLE	1430
30	20	12	AVAILABLE	2170
24	24	12	AVAILABLE	1560
30	30	12	AVAILABLE	2270

Availability: Effective in North America only and subject to change without notice
Other options are available. Please consult factory.

INTRODUCTION

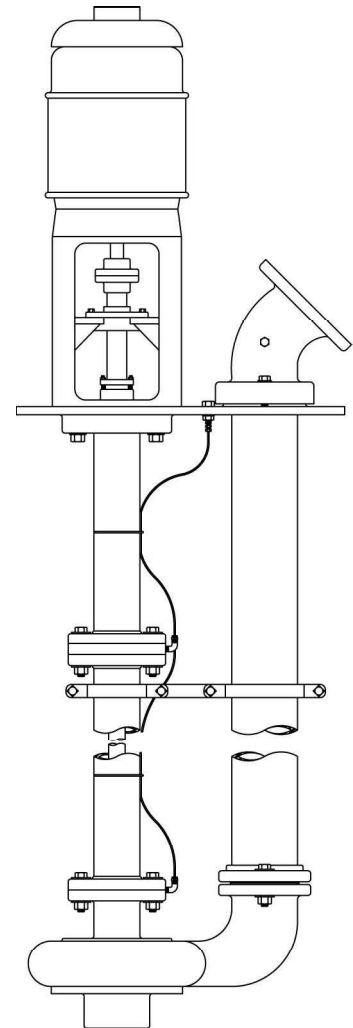
Established in the 1890's as Yeoman Brothers Pump Company, Yeomans has been the pioneer of the vertically suspended wastewater pump and recognized as the superior manufacturer, to which all others have been compared, for over 100 years.

Solids handling wastewater pumps of all types have been a Yeomans' specialty whether needed for high flows, general domestic sewage or difficult wastes such as acids; caustics; chemical wastes; coal or ash slurry run off; slag waste and other waste flows containing abrasive solids. Our Application Engineering staff is experienced in the toughest of pumping challenges whether the wastewater be solids bearing, acidic, caustic or high temperature. With tens of thousands of successful long standing installations throughout North America and numerous others worldwide, the Yeomans tradition of uncompromising quality in design and construction gives the user the assurance of value and equipment durability.

In this section, we have illustrated our wide hydraulic range (50 to 6500 GPM; Heads to 250 feet) and important construction features to insure long life in pump equipment operation. All mating surfaces are machined registered, tongue and groove fits to guarantee positive alignment. The large suspension columns employ screwed on and machined true flanges with no weldments to crack or corrode. Thrust bearings are elevated to prevent the flow of washdown water into their location. Schedule 40 wrought steel suspension and discharge piping insures stiffness and rigidity in construction. The impeller is even designed to assist a bearing lubrication system that was developed by Yeomans (Lubrivic®) years ago and can be maintained throughout the life of the equipment with exclusive use of the impeller adjustment feature conveniently located just below the pump coupling in the above floor motor support.

At the front of each section, please find an easy index and reference guide to choosing the pump curve and model. From this guide, the product information, cross section, installation and dimension pages can be quickly identified. Application Engineering support information regarding equipment material selection can also be found helpful and is located in the back of this section.

Parts and service are readily available through over 100 Representatives and Authorized Service Centers throughout the U.S. and abroad. Yeomans Pump prides itself in prompt parts shipment and complete service. We provide regular factory training programs in Aurora, Illinois and other regional locations to assure all sales and service personnel have current and thorough knowledge of Yeomans products, parts and service.



Series 8000 Vertical Solids Handling Wet Pit Pumps

Basic Pump Includes:

Cast Iron Casing & Impeller ASTM A 48, Cl. 30	Thrust Bearing, Heavy Duty Ball, Grease Lube
Cast Iron Bearing Housing ASTM A 48, Cl. 30	Pump Bearing, Bronze Backed Babbitt Lined (BBBL)
Cast Iron Stuffing Box ASTM A 48, Cl. 30	Steel Discharge & Support Pipe, ASTM A120, Sched. 40
Stainless Steel Shaft AISI 316	Steel Suspension Plate, ASTM A36
Gland, Cast Brass, ASTM B62 82a	Coupling, Flexible, Jaw Type
Gland Hardware, 316 SS, Sil. Brz., Brass	Misc. Hardware, Steel, C1020, Gr. 2 min.
Packing, Graphite	Neoprene Gaskets, ASTM IR
Cast Iron Motor Support ASTM A 48, Cl. 30	Pump Bearing Grease Tubing, Nylon (Lubrication System L 1A)

Pit Depth		Model											
		B4206		B4209		B4211		B4310		B4312		B4312V	
Feet	Meters	AVAIL.	Weight (lb.)	AVAIL.	Weight (lb.)	AVAIL.	Weight (lb.)	AVAIL.	Weight (lb.)	AVAIL.	Weight (lb.)	AVAIL.	Weight (lb.)
5	1.5	AVAIL.	390	AVAIL.	420	AVAIL.	525	AVAIL.	430	AVAIL.	490	AVAIL.	490
5.5	1.7	AVAIL.	420	AVAIL.	450	AVAIL.	555	AVAIL.	460	AVAIL.	520	AVAIL.	520
6	1.8	AVAIL.	450	AVAIL.	480	AVAIL.	585	AVAIL.	490	AVAIL.	550	AVAIL.	550
6.5	2.0	AVAIL.	480	AVAIL.	510	AVAIL.	615	AVAIL.	520	AVAIL.	580	AVAIL.	580
7	2.1	AVAIL.	510	AVAIL.	540	AVAIL.	645	AVAIL.	550	AVAIL.	610	AVAIL.	610
7.5	2.3	AVAIL.	540	AVAIL.	570	AVAIL.	675	AVAIL.	580	AVAIL.	640	AVAIL.	640
8	2.4	AVAIL.	570	AVAIL.	600	AVAIL.	705	AVAIL.	610	AVAIL.	670	AVAIL.	670
8.5	2.6	AVAIL.	600	AVAIL.	630	AVAIL.	735	AVAIL.	640	AVAIL.	700	AVAIL.	700
9	2.7	AVAIL.	630	AVAIL.	660	AVAIL.	765	AVAIL.	670	AVAIL.	730	AVAIL.	730
9.5	2.9	AVAIL.	660	AVAIL.	690	AVAIL.	795	AVAIL.	700	AVAIL.	760	AVAIL.	760
10	3.0	AVAIL.	690	AVAIL.	720	AVAIL.	825	AVAIL.	730	AVAIL.	790	AVAIL.	790
10.5	3.2	AVAIL.	720	AVAIL.	750	AVAIL.	855	AVAIL.	760	AVAIL.	820	AVAIL.	820
11	3.4	AVAIL.	750	AVAIL.	780	AVAIL.	885	AVAIL.	790	AVAIL.	850	AVAIL.	850
11.5	3.5	AVAIL.	780	AVAIL.	810	AVAIL.	915	AVAIL.	820	AVAIL.	880	AVAIL.	880
12	3.7	AVAIL.	810	AVAIL.	840	AVAIL.	945	AVAIL.	850	AVAIL.	910	AVAIL.	910
12.5	3.8	AVAIL.	840	AVAIL.	870	AVAIL.	975	AVAIL.	880	AVAIL.	940	AVAIL.	940
13	4.0	AVAIL.	870	AVAIL.	900	AVAIL.	1005	AVAIL.	910	AVAIL.	970	AVAIL.	970
13.5	4.1	AVAIL.	900	AVAIL.	930	AVAIL.	1035	AVAIL.	940	AVAIL.	1000	AVAIL.	1000
14	4.3	AVAIL.	930	AVAIL.	960	AVAIL.	1065	AVAIL.	970	AVAIL.	1030	AVAIL.	1030
14.5	4.4	AVAIL.	960	AVAIL.	990	AVAIL.	1095	AVAIL.	1000	AVAIL.	1060	AVAIL.	1060
15	4.6	AVAIL.	990	AVAIL.	1020	AVAIL.	1125	AVAIL.	1030	AVAIL.	1090	AVAIL.	1090

- 1) Pump length will be sized appropriately for the specified pit depth based upon 6" increments only
 - 2) For pit depths Prices: Effective in North America only and subject to change without notice
 - 3) Pump prices do not include motors, controls, main sump covers or any other accessories or options
 - 3) Standard pumps are designed to handle normal 6 to 8 PH drainage water, non abrasive, 140 deg. F maximum.
 - 4) For pumps with coupled line shaft please consult factory for pricing.
- Availability: Effective in North America only and subject to change without notice



Series 8000 Vertical Solids Handling Wet Pit Pumps

Pit Depth		Model											
		B6312		L4315		L6315		R6415		R6317		R8515	
Feet	Meters	AVAIL.	Weight (lb.)	AVAIL.	Weight (lb.)	AVAIL.	Weight (lb.)	AVAIL.	Weight (lb.)	AVAIL.	Weight (lb.)	AVAIL.	Weight (lb.)
5	1.5	AVAIL.	796	AVAIL.	952	AVAIL.	996	AVAIL.	936	AVAIL.	1216	AVAIL.	1316
5.5	1.7	AVAIL.	833	AVAIL.	986	AVAIL.	1033	AVAIL.	1003	AVAIL.	1283	AVAIL.	1383
6	1.8	AVAIL.	870	AVAIL.	1020	AVAIL.	1070	AVAIL.	1070	AVAIL.	1350	AVAIL.	1450
6.5	2.0	AVAIL.	907	AVAIL.	1054	AVAIL.	1107	AVAIL.	1137	AVAIL.	1417	AVAIL.	1517
7	2.1	AVAIL.	944	AVAIL.	1088	AVAIL.	1144	AVAIL.	1204	AVAIL.	1484	AVAIL.	1584
7.5	2.3	AVAIL.	981	AVAIL.	1122	AVAIL.	1181	AVAIL.	1271	AVAIL.	1551	AVAIL.	1651
8	2.4	AVAIL.	1018	AVAIL.	1156	AVAIL.	1218	AVAIL.	1338	AVAIL.	1618	AVAIL.	1718
8.5	2.6	AVAIL.	1055	AVAIL.	1190	AVAIL.	1255	AVAIL.	1405	AVAIL.	1685	AVAIL.	1785
9	2.7	AVAIL.	1092	AVAIL.	1224	AVAIL.	1292	AVAIL.	1472	AVAIL.	1752	AVAIL.	1852
9.5	2.9	AVAIL.	1129	AVAIL.	1258	AVAIL.	1329	AVAIL.	1539	AVAIL.	1819	AVAIL.	1919
10	3.0	AVAIL.	1166	AVAIL.	1292	AVAIL.	1366	AVAIL.	1606	AVAIL.	1886	AVAIL.	1986
10.5	3.2	AVAIL.	1203	AVAIL.	1326	AVAIL.	1403	AVAIL.	1673	AVAIL.	1953	AVAIL.	2053
11	3.4	AVAIL.	1240	AVAIL.	1360	AVAIL.	1440	AVAIL.	1740	AVAIL.	2020	AVAIL.	2120
11.5	3.5	AVAIL.	1277	AVAIL.	1394	AVAIL.	1477	AVAIL.	1807	AVAIL.	2087	AVAIL.	2187
12	3.7	AVAIL.	1314	AVAIL.	1428	AVAIL.	1514	AVAIL.	1874	AVAIL.	2154	AVAIL.	2254
12.5	3.8	AVAIL.	1351	AVAIL.	1462	AVAIL.	1551	AVAIL.	1941	AVAIL.	2221	AVAIL.	2321
13	4.0	AVAIL.	1388	AVAIL.	1496	AVAIL.	1588	AVAIL.	2008	AVAIL.	2288	AVAIL.	2388
13.5	4.1	AVAIL.	1425	AVAIL.	1530	AVAIL.	1625	AVAIL.	2075	AVAIL.	2355	AVAIL.	2455
14	4.3	AVAIL.	1462	AVAIL.	1564	AVAIL.	1662	AVAIL.	2142	AVAIL.	2422	AVAIL.	2522
14.5	4.4	AVAIL.	1499	AVAIL.	1598	AVAIL.	1699	AVAIL.	2209	AVAIL.	2489	AVAIL.	2589
15	4.6	AVAIL.	1536	AVAIL.	1632	AVAIL.	1736	AVAIL.	2276	AVAIL.	2556	AVAIL.	2656

- 1) Pump length will be sized appropriately for the specified pit depth based upon 6" increments only
 - 2) For pit depths less than 5 ft. (1.5 m) the 5 ft. (1.5 m) price shall apply
 - 3) Pump prices do not include motors, controls, main sump covers or any other accessories or options
 - 3) Standard pumps are designed to handle normal 6 to 8 PH drainage water, non abrasive, 140 deg. F maximum.
 - 4) For pumps with coupled line shaft please consult factory for pricing.
- Availability: Effective in North America only and subject to change without notice



Series 8000 Vertical Solids Handling Wet Pit Pumps

Pit Depth		Model					
		R8417		R8518		R12515	
Feet	Meters	Weight (lb.)		Weight (lb.)		Weight (lb.)	
5	1.5	AVAIL.	1496	AVAIL.	1536	AVAIL.	1690
5.5	1.7	AVAIL.	1563	AVAIL.	1603	AVAIL.	1760
6	1.8	AVAIL.	1630	AVAIL.	1670	AVAIL.	1830
6.5	2.0	AVAIL.	1697	AVAIL.	1737	AVAIL.	1900
7	2.1	AVAIL.	1764	AVAIL.	1804	AVAIL.	1970
7.5	2.3	AVAIL.	1831	AVAIL.	1871	AVAIL.	2040
8	2.4	AVAIL.	1898	AVAIL.	1938	AVAIL.	2110
8.5	2.6	AVAIL.	1965	AVAIL.	2005	AVAIL.	2180
9	2.7	AVAIL.	2032	AVAIL.	2072	AVAIL.	2250
9.5	2.9	AVAIL.	2099	AVAIL.	2139	AVAIL.	2320
10	3.0	AVAIL.	2166	AVAIL.	2206	AVAIL.	2390
10.5	3.2	AVAIL.	2233	AVAIL.	2273	AVAIL.	2460
11	3.4	AVAIL.	2300	AVAIL.	2340	AVAIL.	2530
11.5	3.5	AVAIL.	2367	AVAIL.	2407	AVAIL.	2600
12	3.7	AVAIL.	2434	AVAIL.	2474	AVAIL.	2670
12.5	3.8	AVAIL.	2501	AVAIL.	2541	AVAIL.	2740
13	4.0	AVAIL.	2568	AVAIL.	2608	AVAIL.	2810
13.5	4.1	AVAIL.	2635	AVAIL.	2675	AVAIL.	2880
14	4.3	AVAIL.	2702	AVAIL.	2742	AVAIL.	2950
14.5	4.4	AVAIL.	2769	AVAIL.	2809	AVAIL.	3020
15	4.6	AVAIL.	2836	AVAIL.	2876	AVAIL.	3090

- 1) Pump length will be sized appropriately for the specified pit depth based upon 6" increments only
 - 2) For pit depths less than 5 ft. (1.5 m) the 5 ft. (1.5 m) price shall apply
 - 3) Pump prices do not include motors, controls, main sump covers or any other accessories or options
 - 3) Standard pumps are designed to handle normal 6 to 8 PH drainage water, non abrasive, 140 deg. F maximum.
 - 4) For pumps with coupled line shaft please consult factory for pricing.
- Availability: Effective in North America only and subject to change without notice



Series 8000 Vertical Solids Handling Wet Pit Pumps

Variants and Options						
Model	Pit Depth ("PD")	Sleeve Bearing Variants			Bronze Impeller	High Head Application - TDH over 70 ft (21m)
		Option "D" Impregnated Teflon (PTFE)	Option "F" Stainless Steel Backed Rubber Lined	Option "G" Modified Graphite (Graphalloy)		
B4206	<= 9	AVAIL.	AVAIL.	AVAIL.	AVAIL.	AVAIL.
	>9	AVAIL.	AVAIL.	AVAIL.		
B4209	<= 9	AVAIL.	AVAIL.	AVAIL.	AVAIL.	
	>9	AVAIL.	AVAIL.	AVAIL.		
B4211	<= 9	AVAIL.	AVAIL.	AVAIL.	AVAIL.	
	>9	AVAIL.	AVAIL.	AVAIL.		
B4310	<= 9	AVAIL.	AVAIL.	AVAIL.	AVAIL.	
	>9	AVAIL.	AVAIL.	AVAIL.		
B4312	<= 9	AVAIL.	AVAIL.	AVAIL.	AVAIL.	
	>9	AVAIL.	AVAIL.	AVAIL.		
B4312V	<= 9	AVAIL.	AVAIL.	AVAIL.	AVAIL.	
	>9	AVAIL.	AVAIL.	AVAIL.		
B6312	<= 9	AVAIL.	AVAIL.	AVAIL.	AVAIL.	
	>9	AVAIL.	AVAIL.	AVAIL.		
L4315	<= 9	AVAIL.	AVAIL.	AVAIL.	AVAIL.	
	>9	AVAIL.	AVAIL.	AVAIL.		
L6315	<= 9	AVAIL.	AVAIL.	AVAIL.	AVAIL.	
	>9	AVAIL.	AVAIL.	AVAIL.		
R6415	<= 9	AVAIL.	AVAIL.	AVAIL.	AVAIL.	
	>9	AVAIL.	AVAIL.	AVAIL.		
R6317	<= 9	AVAIL.	AVAIL.	AVAIL.	AVAIL.	
	>9	AVAIL.	AVAIL.	AVAIL.		
R8515	<= 9	AVAIL.	AVAIL.	AVAIL.	AVAIL.	
	>9	AVAIL.	AVAIL.	AVAIL.		
R8417	<= 9	AVAIL.	AVAIL.	AVAIL.	RTF	
	>9	AVAIL.	AVAIL.	AVAIL.		
R8518	<= 9	AVAIL.	AVAIL.	AVAIL.	AVAIL.	
	>9	AVAIL.	AVAIL.	AVAIL.		
R12515	<= 9	AVAIL.	AVAIL.	AVAIL.	AVAIL.	
	>9	AVAIL.	AVAIL.	AVAIL.		

Availability: Effective in North America only and subject to change without notice

Testing Dry-Pit Solids Handling Pumps

Discharge Size (in)	Performance Testing Adders per ANSI/HI 14.6-2016 (1)(2)(3)							
	Non Witness HI 2B	Witness HI 2B	Non Witness HI 2U	Witness HI 2U	Non Witness HI 1B	Witness HI 1B	Non Witness HI 1U	Witness HI 1U
4	AVAILABLE	AVAILABLE	AVAILABLE	AVAILABLE	AVAILABLE	AVAILABLE	AVAILABLE	AVAILABLE
6	AVAILABLE	AVAILABLE	AVAILABLE	AVAILABLE	AVAILABLE	AVAILABLE	AVAILABLE	AVAILABLE
8	AVAILABLE	AVAILABLE	AVAILABLE	AVAILABLE	AVAILABLE	AVAILABLE	AVAILABLE	AVAILABLE
10	AVAILABLE	AVAILABLE	AVAILABLE	AVAILABLE	AVAILABLE	AVAILABLE	AVAILABLE	AVAILABLE
12	AVAILABLE	AVAILABLE	AVAILABLE	AVAILABLE	AVAILABLE	AVAILABLE	AVAILABLE	AVAILABLE
14	AVAILABLE	AVAILABLE	AVAILABLE	AVAILABLE	AVAILABLE	AVAILABLE	AVAILABLE	AVAILABLE
16	AVAILABLE	AVAILABLE	AVAILABLE	AVAILABLE	AVAILABLE	AVAILABLE	AVAILABLE	AVAILABLE
18	AVAILABLE	AVAILABLE	AVAILABLE	AVAILABLE	AVAILABLE	AVAILABLE	AVAILABLE	AVAILABLE
20	AVAILABLE	AVAILABLE	AVAILABLE	AVAILABLE	AVAILABLE	AVAILABLE	AVAILABLE	AVAILABLE
24	AVAILABLE	AVAILABLE	AVAILABLE	AVAILABLE	AVAILABLE	AVAILABLE	AVAILABLE	AVAILABLE
30	AVAILABLE	AVAILABLE	AVAILABLE	AVAILABLE	AVAILABLE	AVAILABLE	AVAILABLE	AVAILABLE
36	AVAILABLE	AVAILABLE	AVAILABLE	AVAILABLE	AVAILABLE	AVAILABLE	AVAILABLE	AVAILABLE
42	RTF	RTF	RTF	RTF	RTF	RTF	RTF	RTF
48	RTF	RTF	RTF	RTF	RTF	RTF	RTF	RTF
54	RTF	RTF	RTF	RTF	RTF	RTF	RTF	RTF

(1) Testing adders will increase lead-time from standard. Refer to factory for product availability.

(2) Above prices are valid for Yeomans 6000, Chicago 2111 and Morris 7100 series pumps.

(3) Testing adders do not receive a multiplier.

(4) Prices are for one pump, one impeller trim, running at a single speed for entire test. Refer to factory for multiple/variable speed tests.

(5) Refer to factory for additional testing requirements not listed above.

(6) RTF = Refer To Factory

Availability: Effective in North America only and subject to change without notice

Testing Dry-Pit Solids Handling Pumps

Discharge Size (in)	Testing Adders (1)(2)						
	Non Witness Vibration per HI	Witness Vibration Test	Non Witness NPSH Test	Witness NPSH Test	Non Witness Noise Test	Witness Noise Test	Hydrostatic Test
4	AVAILABLE	RTF	AVAILABLE	AVAILABLE	AVAILABLE	AVAILABLE	AVAILABLE
6	AVAILABLE	RTF	AVAILABLE	AVAILABLE	AVAILABLE	AVAILABLE	AVAILABLE
8	AVAILABLE	RTF	AVAILABLE	AVAILABLE	AVAILABLE	AVAILABLE	AVAILABLE
10	AVAILABLE	RTF	AVAILABLE	AVAILABLE	AVAILABLE	AVAILABLE	AVAILABLE
12	AVAILABLE	RTF	AVAILABLE	AVAILABLE	AVAILABLE	AVAILABLE	AVAILABLE
14	AVAILABLE	RTF	AVAILABLE	AVAILABLE	AVAILABLE	AVAILABLE	AVAILABLE
16	AVAILABLE	RTF	AVAILABLE	AVAILABLE	AVAILABLE	AVAILABLE	AVAILABLE
18	AVAILABLE	RTF	AVAILABLE	AVAILABLE	AVAILABLE	AVAILABLE	AVAILABLE
20	AVAILABLE	RTF	AVAILABLE	AVAILABLE	AVAILABLE	AVAILABLE	AVAILABLE
24	AVAILABLE	RTF	AVAILABLE	AVAILABLE	AVAILABLE	AVAILABLE	AVAILABLE
30	AVAILABLE	RTF	AVAILABLE	AVAILABLE	AVAILABLE	AVAILABLE	AVAILABLE
36	AVAILABLE	RTF	AVAILABLE	AVAILABLE	AVAILABLE	AVAILABLE	AVAILABLE
42	RTF	RTF	RTF	RTF	RTF	RTF	RTF
48	RTF	RTF	RTF	RTF	RTF	RTF	RTF
54	RTF	RTF	RTF	RTF	RTF	RTF	RTF

(1) Testing adders will increase lead-time from standard. Refer to factory for product availability.

(2) Above prices are valid for Yeomans 6000, Chicago 2111 and Morris 7100 series pumps.

(3) Testing adders do not receive a multiplier.

(4) Vibration, NPSH, and Noise testing require a performance test as well.

(5) Refer to factory for additional testing requirements not listed above.

(6) RTF = Refer To Factory

Availability: Effective in North America only and subject to change without notice

OBSOLETE MODELS

CHICAGO 2152 SUBMERSIBLE SOLIDS HANDLING PUMPS

Pumps are discontinued, limited parts availability. Consider replacing with Grundfos S/SE/SL

CHICAGO 2235 DRY-PIT SUBMERSIBLE SOLIDS HANDLING PUMPS

Pumps are discontinued, limited parts availability. Consider replacing with Grundfos S/SE/SL

CHICAGO 2910 SCRU-PELLER PUMPS

Pumps are discontinued, limited parts availability.

CHICAGO 2960 NI-HARD VORTEX DRY-PIT SOLIDS HANDLING PUMPS

Pumps are discontinued, limited parts availability.

CHICAGO 7611 COMMUNOTOR

Equipment is discontinued, limited parts availability.

SEWER CHEWER 7671 & 7671-A GRINDER

Equipment is discontinued, limited parts availability.

YEOMANS 9100 SUBMERSIBLE SOLIDS HANDLING PUMPS

Pumps are discontinued, limited parts availability. Consider replacing with Grundfos S/SE/SL

YEOMANS 9235 DRY-PIT SUBMERSIBLE SOLIDS HANDLING PUMPS

Pumps are discontinued, limited parts availability. Consider replacing with Grundfos S/SE/SL

For all other models, please contact factory