

DPC CSIR

Installation & Operating Instruction

DPC CSIR- For Single Phase Pumps, 0.37-1.1 kW



GRUNDFOS SOUTH AFRICA (PTY) LTD
16 Laschelles Road, Meadowbrook
Germiston
South Africa
Tel. +27 10 248 6000
rfqssa@sales.grundfos.com
www.grundfos.com/za

GRUNDFOS KENYA LTD.
Funzi Road, Industrial area,
Nairobi, Kenya
Tel. +254 709 048 000
rfqssa@sales.grundfos.com
www.grundfos.com/ke

GRUNDFOS PUMPS GHANA LTD
10 Lilongwe Avenue,
East Legon Accra,
Ghana
Tel. +233 302 540 172
rfqssa@sales.grundfos.com
www.grundfos.com/gh

Version: 02.0522

GRUNDFOS 

be
think
innovate

GRUNDFOS 

• INTRODUCTION	4
Applications	4
Features	4
Parameter & specifications	5
• INSTALLATION	6
Tools used in controller Installation	6
Controller components	6
LCD screen	6
Terminals	8
DIP switch settings	9
• PARAMETER – CALIBRATION AND ERASING	9
Calibration	9
Erasing	10
• CONNECTIONS – CONTROLS DEVICES AND APPLICATIONS	11
Installing liquid level probes switch	11
Power Connections	12
Control PCB Connections-Water Supply	12
Drainage / De-watering	14
Pressure Boosting	16
• BASIC OPERATION	18
Manual mode	18
Auto mode	18
Displaying Run Hours of the pump	18
Displaying last five fault records	19
Communication link	20
Faults & protection	22
Meaning of the messages and graphic shown on the LCD screen	23
Application : Water supply/transfer (using probes or floats)	23
Application : Sewage/drainage (using floats)	23
Application : Pressure boosting (using pressure switch)	24
• TROUBLE SHOOTING	25

SAFETY

Following are the safety instructions which must be followed by the service partners or user while installing and operating. If ignored, physical injury or even death may happen. Read the safety instructions before handling the system.

WARNING

If these safety instructions are not observed, it may result in personal injury.

- Before carrying out any installation or maintenance operation, controller must be disconnected from the power supply.
- Don't open the cover while the pump is running.
- Don't put wire, metal bar lument etc. into the controller.

CAUTION

If these safety instructions are not observed, it may result in malfunction or damage of the equipment.

- All electrical connections must be carried out by a skilled and qualified personnel.
- Never connect AC power to output L1,C,N terminals.
- Ensure the motor, controller and capacitor ratings match the output power.



NOTE

(Notes or attention to ensure safe operation)

IMPORTANT

The manufacturer is not liable for malfunctioning if the product is not correctly installed or damaged, modified and/or put to run beyond the working range as given in this manual.

The manufacturer reserves the right to make any modifications to this product from time to time.

INTRODUCTION

DPC CSIR is the Digital pump controller with a starting capacitor for single phase pumps. Its rated output power ranges from 0.37 - 1.1 KW.

APPLICATION

DPC CSCR is very useful in water and wastewater applications, be it water transfer, tank filling, tank emptying or even pressure boosting in Hydro-pneumatic applications. It is ideal choice in residential, industrial or institutional segments where water and energy conservation is of utmost importance.

FEATURES

- ◆ LCD screen displays pump running information
- ◆ Over load protection
- ◆ Motor stalled protection
- ◆ Dry run protection without installing a float switch
- ◆ Under voltage protection
- ◆ Over voltage protection
- ◆ Transient surge protection
- ◆ Memory function when power off & power recovery
- ◆ Visual & audio alarm for fault prompt
- ◆ DIP switch settings to make it suitable for different applications like water supply, drainage or pressure boosting
- ◆ Auto/Manual switch
- ◆ Liquid level probes/ floats (in case of fully automatic models) for clear water

PARAMETER AND SPECIFICATIONS:

Following chart shows main technical parameters & specifications:

Main technical characteristics	
Control characteristic	Level control (with probes for clear water or with floats) Pressure control (with pressure switch)
Working modes	Manual/Auto
Main technical data	
Rated output power (kW)	0.37 - 1.1 kW
Rated input voltage	AC 220V/ 50 or 60 Hz/ Single Phase
Trip response time of overload	5sec - 5min
Trip response time of dry run	6 sec (or this can be set manually)
Recovery time of overload	30 min
Recovery time of under/over voltage	5 min
Recovery time of dry run	30 min (or this can be set manually)
Trip voltage of over voltage	+ 15% of rated input voltage
Trip voltage of under voltage	- 15% of rated input voltage
Trip current of dry run	85% of rated current (adjustable)
Trip current of pump stalled	170% of rated current (adjustable)
PROTECTIONS COVERED	
	DRY RUN (without float/probe)
	Overload (auto calibrated or can be set)
	Transient surge
	Under voltage
	Over voltage
	Pump stalled
Other technical data	
Permissible ambient temperature	Up to 55 Deg C
Degree of protection	IP 55
Install position	Vertical
Unit dimensions (L X W X H)	190 x 280 x 130
Unit weight	5.5 Kg

INSTALLATION

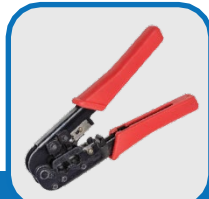
Please read this manual carefully before starting installation and operation. Any damage to the equipment caused due to failure to comply with the descriptions in this manual in installation or operation will be beyond the scope of the company's quality guarantee.

TOOLS USED IN CONTROLLER INSTALLATION

Controller installation and wiring will need the following tools. You also can choose the right tools according to your own experience.



ELECTRIC DRILL



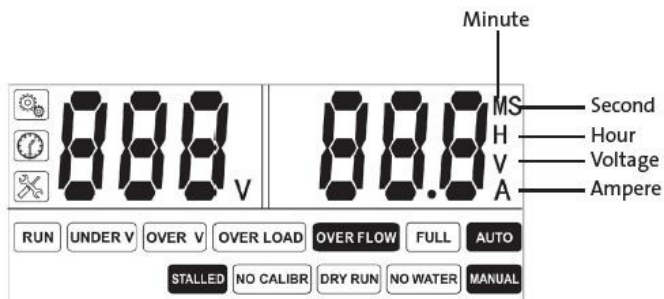
CRIMPING PLIER



CROSS SCREWDRIVER

CONTROLLER COMPONENTS:

LCD Screen



MEANING OF THE ICONS SHOWN ON THE LCD



The parameter configuration icon, when this icon appears, controller is in manual parameter adjustment mode.

Time displaying icon when this icon appears, it means controller is displaying some parameter of time, eg: pump dry run trip time(units: seconds)



Pump fault icon, when this icon appears, it means controller is displaying some fault condition

Voltage

V

M

Minute

Second

S

H

Hour

Ampere

A

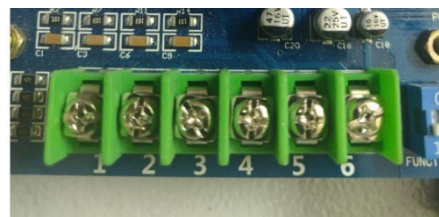
Terminals

Power terminals



(a) Power terminals for connecting mains incoming and outgoing

Control terminals



(b) Control terminals for connecting probes or float switches

DIP switch settings

Users can set the function switch to suit different applications. Before setting the function switch; the unit should be disconnected from the power supply. After completing the settings of dip switches, power may be applied to the unit. Following signs will be displayed in voltage displaying area on the LCD conforming to the following list.

S.NO	SWITCH POSITION	MESSAGES & IN VOLTAGE DISPLAYING AREA	DESCRIPTION
1		000	Applied for water supply by liquid level control through probe/float switch
2		222	Applied for water supply by pressure control through pressure switch & pressure tank
3		111	Applied for drainage by liquid level control through float switch

PARAMETER-CALIBRATION AND ERASING

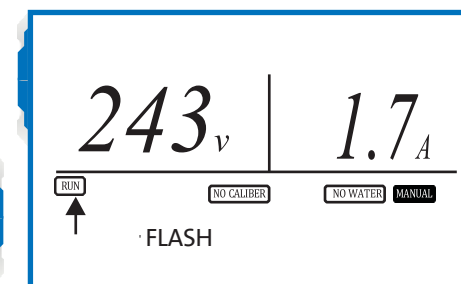
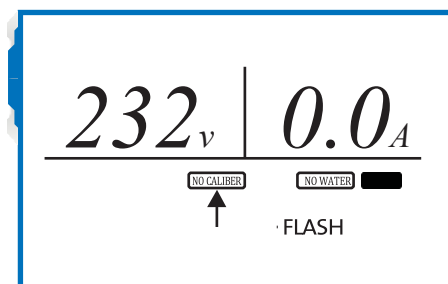
In order to achieve best performance of the controller and for providing maximum protection to the pump, it is essential that parameter calibration is done at the time of installation itself or after pump is repaired and installed back.

CALIBRATION:

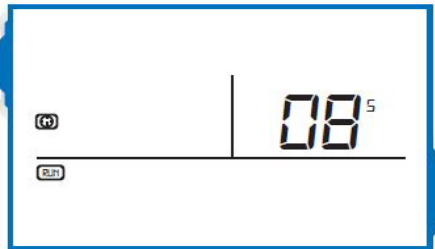
Setting of parameters (calibration of unit according to the connected load):

Press the **MODE** key to switch to manual mode. Make sure the pump is not running and LCD screen looks as below

Press the **START** key to run the pump, confirm the pump is running OK and drawing rated current. Also confirm the mains supply is healthy and incoming voltage is normal, LCD screen will display voltage and current being drawn by pump:



Again press **START** key approximately for 3 secs and release when the unit makes a “Beep” sound and a countdown timer starts on the LCD screen as shown below



Pump stops running and parameter calibration completed. LCD screen display looks as below



ERASING:

This needs to be done whenever pump is repaired or a new pump is installed, previous parameters need to be erased before the unit is re-calibrated.

Follow the below instructions to erase the parameter calibration:

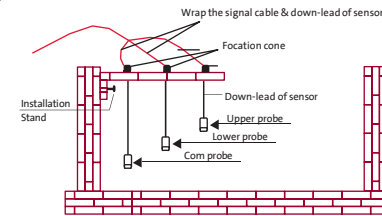
- 1 Press the **MODE** key to switch to manual mode. make sure the pump is not running.
- 2 Press the **STOP** key approximately for 3 secs and release when the unit makes a “Beep” sound.

Unit is now back to factory settings, “NO CALIBER” sign will start flashing on the LCD screen. For re-calibration, follow the instruction as given in “CALIBRATION” section.

CONNECTIONS-CONTROLS DEVICES AND APPLICATIONS

INSTALLING LIQUID LEVEL PROBES SWITCH:

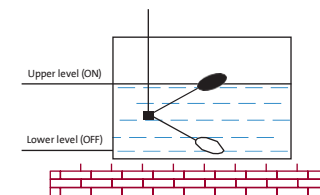
LIQUID PROBE INSTALLATION



In the event of risk of electric storms (lightning) or when liquid medium in well or tank or sump is very dirty it is recommended float switch is used

(c) Liquid level probe installation

FLOAT SWITCH INSTALLATION



If the float switch is equipped with three wires use the BLACK and BROWN wires. In event of different colours use a multimeter to identify correct connections as follows:

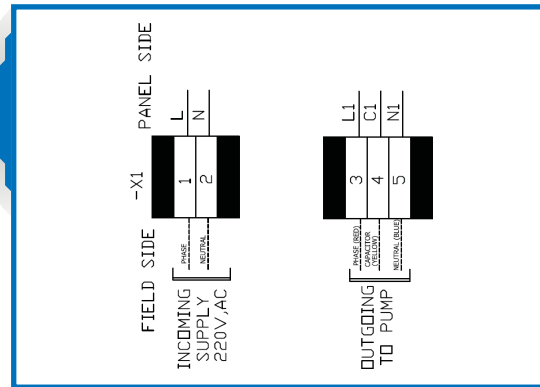
Low level no reading OFF
Upper level-positive reading ON

(d) Float switch installation



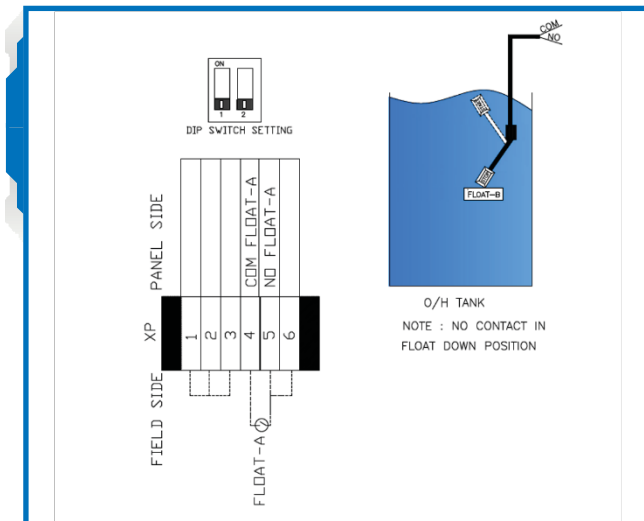
NOTE: For all applications, connect the "NO" contact of float switch in down position.

POWER CONNECTIONS:



CONTROL PCB CONNECTIONS:

Water Supply

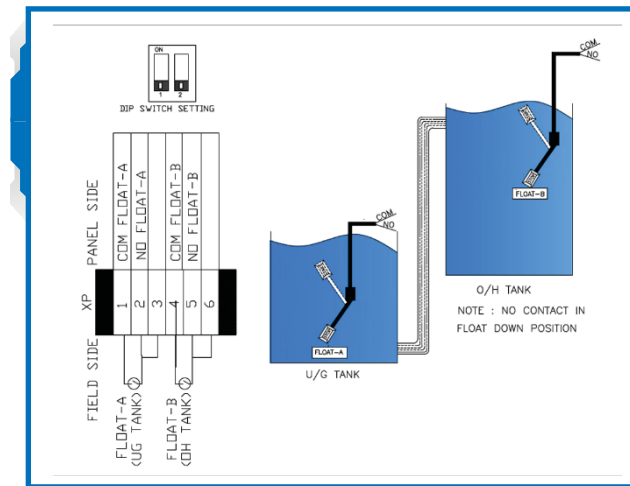


(e) Direct OH tank filling (using 1 float switch)

Short terminals 1,2,3. Connect common of float switch in terminal 4, connect NO contact of float switch in terminal 5. Short terminals 5,6.

Start Condition: If the water level in the OH tank falls and Float switch is in down position, the pump starts. LCD screen displays RUN indicating pump is running.

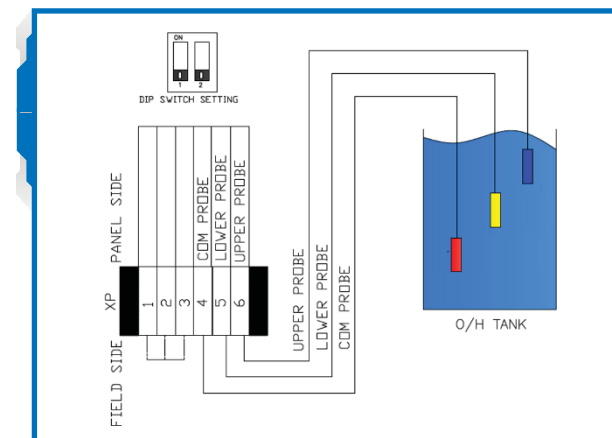
Stop Condition: If the water level in the OH tank rises and Float switch is in up position, the pump stops. LCD screen displays FULL, indicating OH tank is full.



(f) Water transfer UG tank to OH tank (using two float switches)

Start Condition: If the water level in OH tank falls and the Float switch in OH tank is in down position and the water level in UG tank is high and the Float switch in UG tank is in up position the pump starts. LCD screen displays RUN indicating pump is running.

Stop Condition: If the water level in the OH tank rises and Float switch in OH tank is in up position, the pump stops. LCD screen displays FULL, indicating OH tank is full.



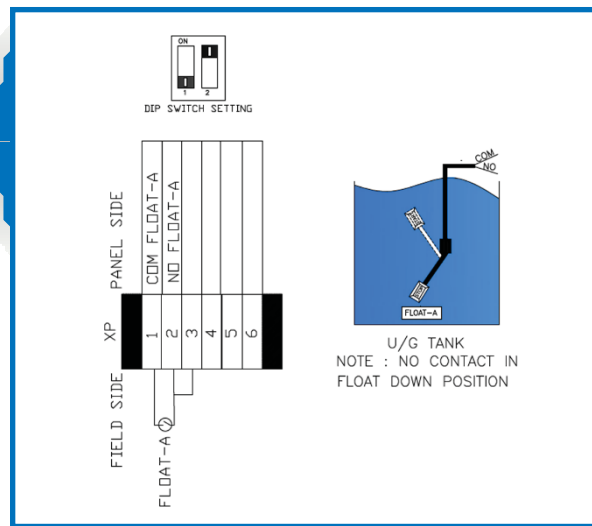
(g) Direct OH tank filling (using 1 liquid level probe)

Short terminals 1,2,3. Connect common liquid level probe in terminal no. 4 which is placed at the bottom of the tank touching the surface. Connect the lower liquid level probe in terminal no. 5 (this should be ideally at the level where the pump is desired to run). Connect the upper liquid level probe in terminal no. 6 (this should be ideally at the level where the pump is desired to stop ie. Tank should be full).

Start Condition: If the water level in the OH tank falls below the lower liquid level probe, the pump starts. LCD screen displays RUN indicating pump is running.

Stop Condition: If the water level in the OH tank rises above the upper liquid level probe, the pump stops. LCD screen displays FULL, indicating OH tank is full.

Drainage / De-watering

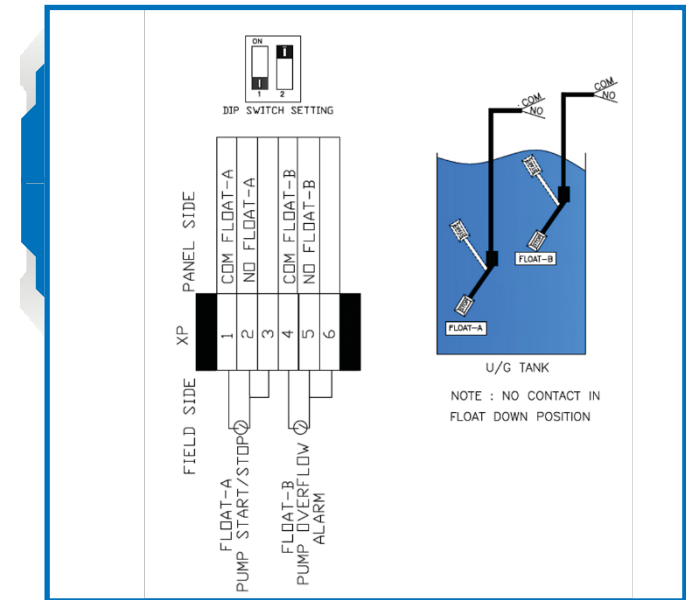


(h) Using 1 float switch - for pump start & stop

Connect common of Float switch to terminal 1, connect NO point of Float switch to terminal 2. Short terminals 2,3. Kindly ensure terminals 4,5,6 are open.

Start condition: If the water level in the pit/tank rises and the float switch is in up position, the pump starts. LCD screen displays RUN indicating pump is running.

Stop condition: If the water level in the pit/tank decreases and the float switch in down position, the pump stops. LCD screen displays NO WATER, indicating there is no liquid level in pit/tank.



(i) Using 2 float switches – for pump start & stop and over flow alarm (level-2)

Connect common of Float Switch A to terminal 1, connect NO point of Float switch A to terminal 2. Short terminals 2,3

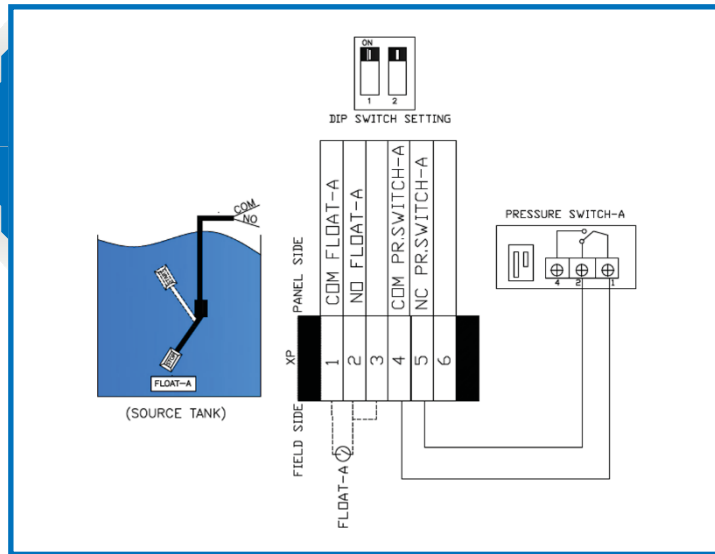
Connect common of Float Switch B to terminal 4, connect NO point of Float switch B to terminal 6. Kindly ensure terminal 5 is open.

Start condition: If the water level in the pit/tank rises and the float switch is in up position, the pump starts. LCD screen displays RUN indicating that the pump is running.

Stop condition: If the water level in the pit/tank decreases and the float switch in down position, the pump stops. LCD screen displays NO WATER, indicating there is no liquid level in pit/tank.

Alarm condition: If the water level in the pit/tank rises even further despite pump running and Float switch (Level-2) is in up position, there is an audio-visual alarm. LCD screen displays OVERFLOW indicating that liquid level in the pit/tank has reached Overflow level.

Pressure Boosting



(j) Pressure switch & 1 float switch

Note: If there is no UG tank/ source tank then short terminal 1, 2 and 3

Connect common of Float switch of source tank in terminal 1, connect NO point of this float switch in terminal 2. Short terminals 2,3.

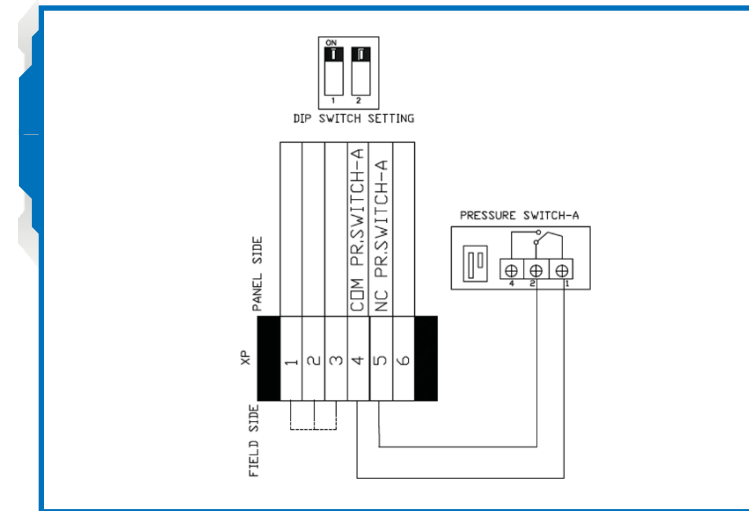
Connect common of Pressure Switch in terminal 4, connect NC point of this pressure switch in terminal 5. Kindly ensure terminal 6 is open.

Start condition: If the water level in source tank is high and the float switch in the source tank is in up position and the Pressure in the line is below the cut-in pressure setting on the pressure switch the pump starts. LCD screen displays RUN indicating pump is running

Stop Condition:

If the water level in the source tank is low and the Float switch in the source tank is in down position, the pump stops. LCD screen displays NO WATER, that means there is no water in the source tank and can lead to a dry run situation.

If the Pressure in the line is equal to or above the cut-out pressure setting on the pressure switch installed, the pump stops. LCD screen displays FULL, that means there is no demand of water.



Using 1 pressure switch

Short terminals 1,2,3. Connect common of Pressure Switch in terminal 4, connect NC point of this pressure switch in terminal 5. Kindly ensure terminal 6 is open.

Start condition: If the water level in source tank is high and the float switch in the source tank is in up position and the Pressure in the line is below the cut-in pressure setting on the pressure switch the pump starts. LCD screen displays RUN indicating pump is running

Stop Condition: If the Pressure in the line is equal to or above the cut-out pressure setting on the pressure switch installed, the pump stops. LCD screen displays FULL, that means there is no demand of water.

BASIC OPERATION

MANUAL MODE:

Press the **MODE** key to switch to manual mode. Once the unit is in **MANUAL** mode, press the **START** key to run pump, press the **STOP** key to stop pump.

NOTE: In manual state, the unit doesn't receive signal from float switch or pressure switch.

AUTO MODE:

Press the **MODE** key to switch to auto mode. Once the unit is in **AUTO** mode, the pump will start or stop according to the signal from sensor, float switch or pressure switch.

NOTE:

- In **AUTO** mode, if the pump is running and user wants to stop the pump, press the **MODE** key to switch to **MANUAL** mode and pump will stop running.
- In **AUTO** mode if the input power gets cut off and when the supply gets restored, the unit will start operating after 10 seconds automatically.
- No matter the unit is in **AUTO** or **MANUAL** mode, the unit will resume operation in same mode when the power supply gets recovered after a cut off.

FAULTS AND PROTECTION:

During pump running, if dry run, overload, under voltage, over voltage etc. failures happens, the control unit immediately stops the pump, displays it on the LCD screen and automatically executes a check for restarting conditions after a built in time delay has elapsed. The control unit recovers automatically until all the abnormal conditions have been cleared. However the recovery time of the control unit is different for different faults.

Details of recovery times for each fault have already been explained in this manual. Recovery time of dry run can be altered and set as per needs. However, recovery time of overload and under/over voltage cannot be altered as it is fixed at 30 minutes and 5 minutes respectively.



NOTE: To reset immediately without waiting for recovery time, cut off power supply and again switch on.

MEANING OF THE MESSAGES AND GRAPHIC SHOWN ON THE LCD SCREEN:

Application: Water Supply/transfer (Using Probes Or Floats)

FULL

Liquid level in the upper water tank reaches upper probe or float switch in up position, pump stop running

DRY RUN

Liquid level in the borewell or lower tank is below pump intake, pump stop running.

NO WATER

Liquid level in the lower water tank/water well is below lower sensor/probe (float switch in down position)

Application: sewage/drainage (USING FLOATS)

FULL

When “float switch A” is at up position, pump start running

DRY RUN

Liquid level in the sump is below the pump inlet, pump stop running

NO WATER

When “float switch A” is at down position, pump stop

OVER FLOW

When “float switch B” is at up position, control panel sends overflow alarm

Application: pressure Boosting (Using Pressure Switch)

FULL

If there is full pressure in the pipeline or pressure tank, contact point of pressure switch is OFF then pump stop running

DRY RUN

Liquid level in the well is below the pump inlet, pump stop running.

NO WATER

Liquid level in the lower water tank/water well is below lower sensor/probe (float switch in down position)

TROUBLE SHOOTING

FAULT MESSAGE	POSSIBLE CAUSE	SOLUTIONS
Flashing of "UNDER V"	Actual voltage is lower than the calibrated voltage, pump is in under voltage protection state	Check the power supply at source Control unit will attempt to restart the pump every 5 minutes until line voltage is restored to normal
Flashing of "OVER V"	Actual voltage is higher than the calibrated voltage, pump is in over voltage protection state	Check the power supply at source Control unit will attempt to restart the pump every 5 minutes until line voltage is restored to normal

Flashing of "OVER LOAD"	Actual drawn current is higher than the calibrated current, pump is in over load protection state	Control unit will attempt to restart the pump every 30 minute until running current is restored to normal
	Pump impeller is jammed/ pump motor dragging/ pump bearing broken	Check pump impeller or bearing
Flashing of "NO CALIBER"	Parameter calibration not completed	Carry out parameter calibration
Flashing of "DRY RUN"	Liquid level in the well/ sump is below the pump inlet, pump is in DRY RUN prevention state	Control unit will attempt to restart the pump every 30 minutes (or set time) until liquid level reaches above the pump inlet
Flashing of "STALLED"	Current drawn exceeds 170% of calibrated rated current.	Cut off power supply & repair or replace pump

Note: Float / Pressure Switch should be ordered separately.

Abbreviation:

1. OH : Overhead
2. UG: Underground
3. NO: Normally Open
4. DOL: Direct online start
5. COM: Common