

**Qty. Description**

**1 SP5A-14 SOLAR**



**Note! Product picture may differ from actual product**

Product No.: 92660188

Submersible borehole pump, suitable for pumping clean water. Can be installed vertically or horizontally. All steel components are made in stainless steel, EN 1.4301 (AISI 304), that ensures high corrosive resistance.

The pump is fitted with a 3.7 kW MMS4P motor with sand shield, water-lubricated journal bearings and a volume compensating diaphragm. The motor is a permanent magnet synchronous, rewindable type submersible motor offering good reliability and high efficiency. Suitable for temperatures up to 60 °C.

The pump set is powered by Solar Pump Controller (SPC) an off-grid solar inverter customized to run SP with permanent magnet synchronous motors. With the built-in MPPT and protection algorithm, it delivers an efficient and reliable solar system solution

**Liquid:**

Pumped liquid:	Water
Liquid max temp:	60 °C
Selected liquid temperature:	20 °C
Density:	998.2 kg/m <sup>3</sup>
Kinematic viscosity:	1 mm <sup>2</sup> /s

**Technical:**

Pump speed on which pump data are based:	4200 rpm
Rated flow:	8 m <sup>3</sup> /h
Rated head:	100 m
Curve tolerance:	ISO9906:2012 3B

**Materials:**

Pump:	Stainless steel EN 1.4301 AISI 304
Impeller:	Stainless steel EN 1.4301 AISI 304
Motor:	Stainless steel DIN W.-Nr. 1.4301 AISI 304

**Installation:**

Pump outlet:	Rp1 1/2
Motor diameter:	4 inch



Company name:

Created by:

Phone:

Date:

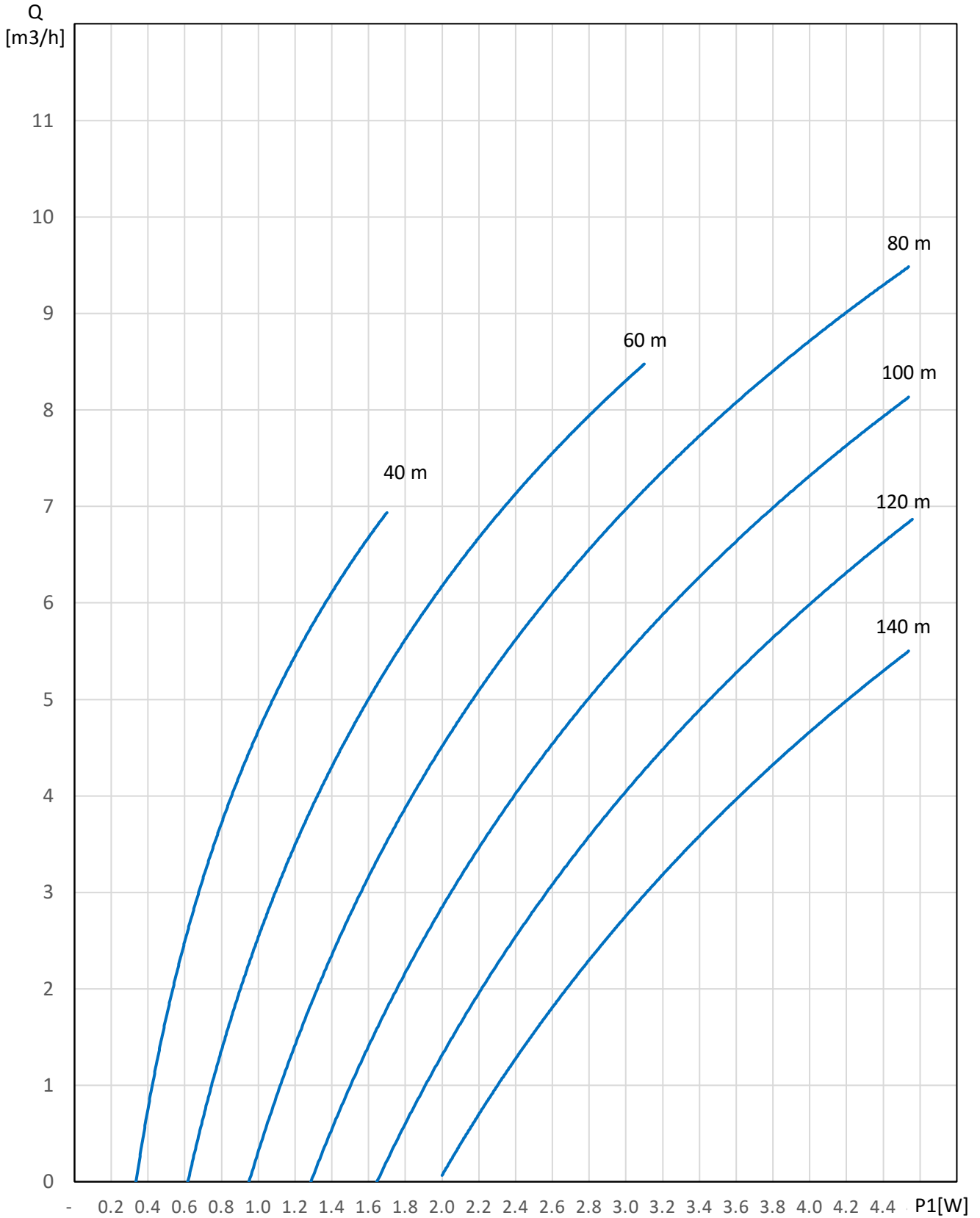
Qty.	Description
------	-------------

Electrical data:	
Motor type:	PMSM MMS4P
Rated power - P2:	3.7 kW
Power (P2) required by pump:	3.7 kW
Mains frequency:	50 Hz
Rated voltage:	3 x 380 V
Rated current: Cos	10.9 A
phi - power factor:	0.8
Rated speed:	4200 rpm
Start. method:	Solar Pump Controller
Enclosure class (IEC 34-5):	IP68
Insulation class (IEC 85):	F
Built-in temp. transmitter:	no
Motor No:	99649500

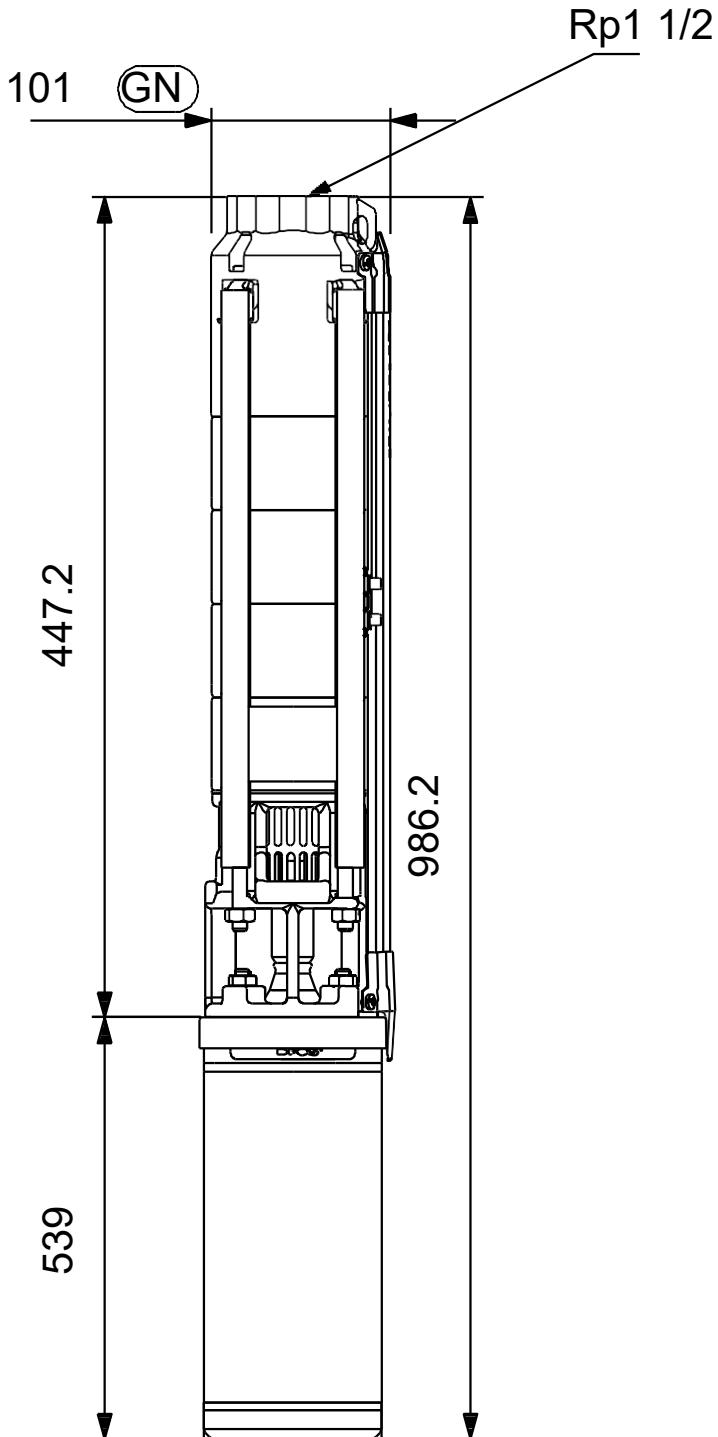
Others:	
Net weight:	22.2 kg
Gross weight:	26.3 kg

Description	Value
<b>General information:</b>	
Product name:	SP 5A-14 Solar
Product No:	92660188
Technical:	
Pump speed on which pump data are based:	4200 rpm
Rated flow:	8 m <sup>3</sup> /h
Rated head:	100 m
Stages:	14
Impeller reduc.:	NONE
Curve tolerance:	ISO9906:2012 3B
Non-Return Valve:	YES
Specification for shaft end:	SPLINE
<b>Materials:</b>	
Pump:	Stainless steel
Pump:	EN 1.4301
Pump:	AISI 304
Impeller:	Stainless steel
Impeller:	EN 1.4301
Impeller:	AISI 304
Installation:	
Pump outlet:	Rp1 1/2
Motor diameter:	4 inch
Liquid:	
Pumped liquid:	Water
Liquid max temp:	60 °C
Selected liquid temperature:	20 °C
Density:	998.2 kg/m <sup>3</sup>
Electrical data:	
Motor type:	PMSM MMS4P
Rated power - P2:	3.7 kW
Power (P2) required by pump:	3.7 kW
Mains frequency:	50 Hz
Rated voltage:	3 x 380 V
Rated current:	10.9 A
Cos phi - power factor:	0.8
Rated speed:	4200 rpm
Start. method:	Solar Pump Controller
Enclosure class (IEC 34-5):	IP68
Insulation class (IEC 85):	F
Built-in temp. transmitter:	no
Motor No:	99649500
Others:	
Net weight	21.6 kg
Gross weight	25.7 kg

## SP 5A-14 4200 rpm



## SP 5A-14 Solar



Note! All units are in [mm] unless others are stated.  
Disclaimer: This simplified dimensional drawing does not show all details.

Qty.	Description
------	-------------

**GI SPC 3X380-415V IP65 3.7KW 10A**



Note! Product picture may differ from actual product

Product No.: 99800694

Solar Pump Controller SPC is an off-grid solar inverter to enable end-user to use solar power for a wide range of water applications.

SPC is customized specifically to be compatible with Grundfos pumps. With the built-in MPPT and protection features, it delivers an efficient and reliable solar system solution.

- Soft start function
- Surge and Reverse polarity protection
- Protection against Overvoltage, Undervoltage and overcurrent
- Sensor less dry run protection
- Preconfigured inputs
- Build-in MPPT (Maximum power point tracking)
- AC and DC power source compatible

SPC offers the following inputs and output:

- RS-485 Modbus RTU
- 4 Digital inputs, preconfigured for solar application

Technical:

Approvals and markings: CE

Installation:

Range of ambient temperature: -25°C... 60°C

Relative humidity: 95 %

Electrical data:

Rated power - P2: 3.7 kW

Mains frequency: 50 / 60 Hz

Rated voltage: 3 x 380 - 415 V

Enclosure class (IEC60529): IP65

Rated voltage output AC: 380 V

Voltage input DC: 800 V

Rated current output AC: 10 A

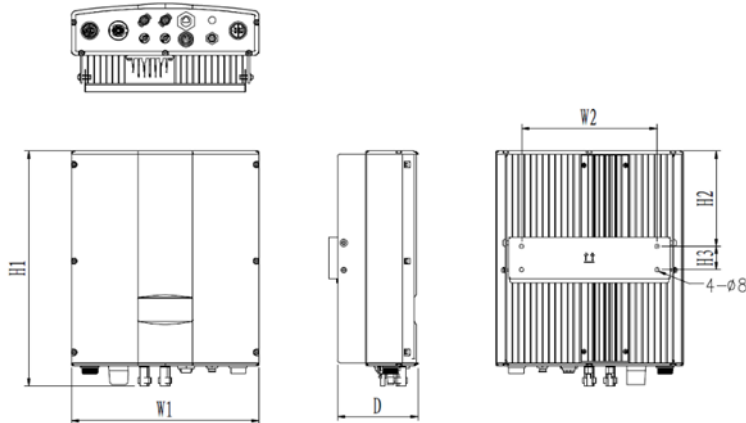
Udc: 220 V

Others:

Net weight: 14.1 kg

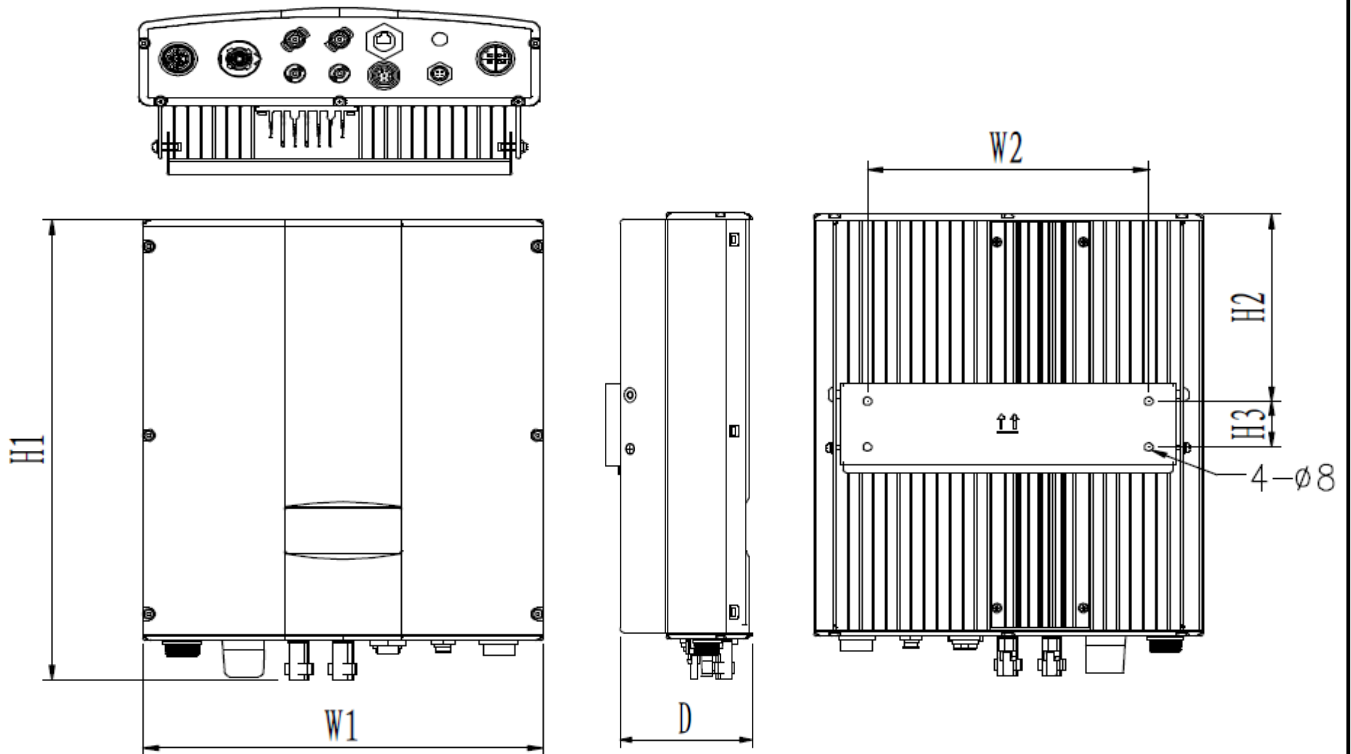
Gross weight: 16 kg

Description	Value
<b>General information:</b>	
Product name:	GI SPC 3X380-415V IP65 3.7kW 10A
Product No:	99800694
EAN number:	
Price:	
<b>Technical:</b>	
Approvals and markings:	CE
<b>Installation:</b>	
Range of ambient temperature:	-25 ° C... 60 ° C
Relative humidity:	95%
<b>Electrical data:</b>	
Rated power - P2:	3.7kW
Mains frequency:	50 / 60 Hz
Rated voltage:	3 x 380 - 415 V
Enclosure class (IEC60529):	IP65
Rated voltage output AC:	380 V
Voltage input DC:	800 V
Rated current output AC:	10 A
Udc:	220 V
<b>Others:</b>	
Net weight:	14.1 kg
Gross weight:	16 kg



H1	W1	D	H2	W2	H3	Installation hole
454	360	154.5	184	260	45	8

## GI SPC 3X380-415V IP65 3.7kW 10A



H1	W1	D	H2	W2	H3	Installation hole
454	360	154.5	184	260	45	8